

NEW & IMPROVED
THE FRAME THAT EXTENDS IN ANY DIRECTION

Multi Frame Wide & Extension Kit

Multi Frame Wide is 1.2m long and 1.5m wide, providing superb frame stability and prevents overturning in higher wind applications.



EASY TO ASSEMBLE
 Cross bars simply place onto the end bars rather than sliding onto.

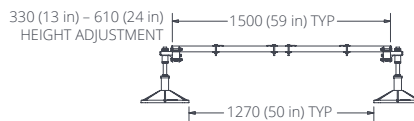
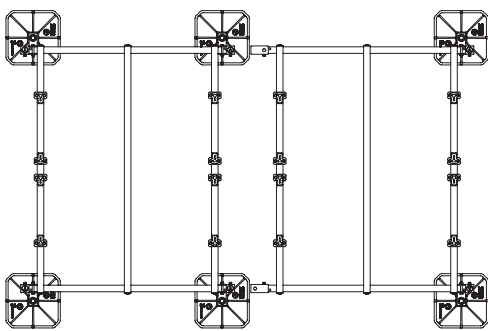
KEY FEATURES

- Suitable for larger units up to 1.5m width/depth
- Easy adjustment to suit any requirement
- Complete boxed kit of required components
- Install units back to back

KIT INCLUDES

Multi Frame	Frame	Ext.
305mm foot & mat	× 4	× 2
1.2m End bar	× 2	× 2
1.5m Cross bar	× 3	× 3
Unit clamp kit (4 pack)	× 2	× 2
Connector	-	× 4

APPLICATION



Part	Description	Product Code	Box Length		Box Width		Box Height		Box Weight		Max. Load	
			(mm)	(in)	(mm)	(in)	(mm)	(in)	(Kg)	(lbs)	(Kg)	(lbs)
1	Multi Frame Wide	BN6900	1600	62 7/8	350	13 7/8	150	6	52	115	500	1102
2	Wide Extension Kit	BN6901	1600	62 7/8	350	13 7/8	150	6	41	93	500	1102

Information correct at time of going to press.