



TECHNICAL
CATALOG



MORE THAN
25000_{mtr²}
PRODUCTION AREA



15million
MOTORS/YEAR



100+
CHANNEL
PARTNERS

1000+
CUSTOMERS



Corporate Headquarters

Performance with Purpose

Founded in 1988, Hicool is a leading manufacturer of motors, fans and blowers serving diverse markets and covering the entire scope of air moving technology and thermal solutions.

Our highly skilled team are driven every single day to create tailor-made solutions for complex applications in different industries. Our engineers are passionate about working very closely with our customers to meet their exact requirements in the most cost-effective way.

By having full control of our process chain, we are able to deliver unrivalled quality products with superior lifespans and reliability.

Hicool products enhance operational efficiency, save energy and improve customer product and equipment lifetime by providing the desired amount of temperature control.

With 2 state of the art manufacturing facilities and a yearly capacity of over 15 million motors we are able to cater to the rising demand of climate and temperature control products.

Do contact us for tailor-made solutions for your needs.



Contents

Selecting The Right Fan	6
Certifications.....	9
Industries Served.....	11
Compact Fans - AC	13
Compact Fans - EC	19
Compact Fans DC Brushless	23
Compact Fans - All Metal	31
Large Axial Fans.....	35
Ventilation Fans	41

Backward Curved Fans	45
Centrifugal Blowers	49
Q Motors.....	55
Elevator Cabin Fans	59
C Frame Motors.....	63
Accessories	67
Axial Fan Connection Diagram.....	70
Star Delta Connection Diagram.....	71

Selecting The Right Fan

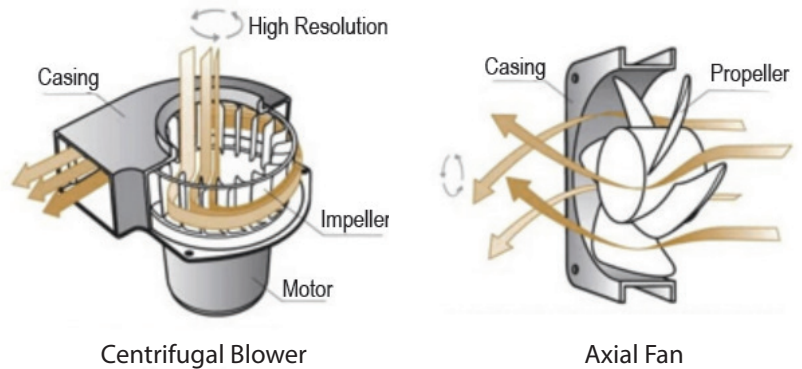
In recent years, the importance of cooling technology has become even greater due to an increase in heat emitted by equipment in line with a transition to high functionality and high speed. Therefore, selection of a right cooling fan for the application have become even more critical.

Based on the application, below parameters need to be determined for the right selection of the fan:

Fan Type	Airflow	Static Pressure	Atmospheric Condition	Ingress Protection
----------	---------	-----------------	-----------------------	--------------------

Fan Type

Fans are generally categorized by the way the air enters and leaves the fan; if it exits in the same plane as it enters it is normally termed an axial fan, as to draw air in from one side and expel it from the other. If the airflow leaves in a different plane it is normally referred to as a centrifugal design, as the air drawn in changes direction inside the fan and is expelled in a different direction. Axial fans are predominantly suitable for high airflow in systems with low static pressure, while centrifugal fans offer lower airflow against higher static pressure.

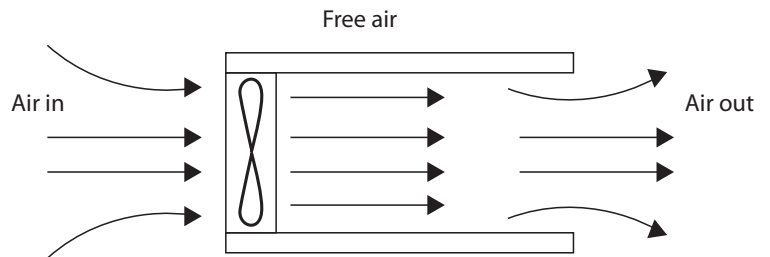


Airflow

Once the fan type is known, the volume of air exchanged must be determined. Airflow is rated in cubic feet of air per minute (CFM) or in metric equivalent, it is rated in cubic meters per hour (M³/hr).

$$1 \text{ CFM} = 1.699 \text{ M}^3/\text{hr}$$

Lower airflow will affect the cooling of equipment; therefore, it is always recommended to select a fan with airflow that is slightly higher than required.

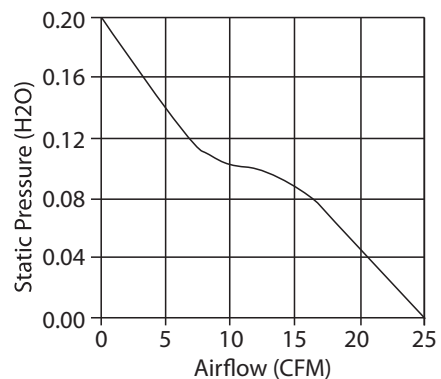


Static Pressure

An accurate measurement of static pressure is critical for proper fan selection. Static Pressure is the resistance to airflow (friction) caused by the air moving through a pipe, duct, hose, filter etc. Static Pressure is rated in inches water gauge (inWG) or the metric equivalent, millimeters water gauge (mmWG).

$$1 \text{ inWG} = 25.4 \text{ mmWG}$$

The airflow given in our catalogue is at free air i.e. at 0 static pressure. Please ask for Airflow vs Static Pressure Chart before selecting a Fan.



Atmospheric Condition

Apart from the above parameters while selecting a fan also consider the Atmospheric Condition near the fan. A fan should be operated within the operating temperature range given in the spec sheet. Fan should be selected based on the application (i.e. whether outdoor or indoor, dusty atmosphere etc). For dusty atmosphere it is always recommended to go for a fan with at least IP 44 protection and for outdoor application where the fan is exposed to the environment higher IP rating is required.

GUIDELINE FOR SELECTING A FAN

How to select the correct fan?

1. Determine your system specifications & condition:

Determine the rise in temperature inside the system and obtain the total value of heat based on its input & output.

Example:

V – Total value of heat in your system = 200 W

ΔT – Temperature rise inside your system = 15 K

2. Airflow calculation for cooling your system :

Once the system specifications & conditions are determined, calculate the required airflow to cool the system using below mentioned formula.

Example :

Q' - Motion airflow (m³/min)

$Q' = V / (20 \times \Delta T)$ i.e $200 / (20 \times 15) = 0.66$ m³/min.

Note : The formula shown above only applies when the heat radiation is performed only by cooling air from the fan.

3. Fan selection:

The Cooling Fan is selected based on the value obtained by calculating the motion airflow (Q').

-Note that, the motion airflow when the Cooling Fan is mounted in your system can be obtained using the airflow Vs static pressure characteristic curve and system impedance.

- As the system impedance cannot be measured without a measuring instrument, so fan with 1.5 to 2 times higher airflow than the actual maximum airflow should be selected.

(Note: operating airflow is one third to two third of maximum airflow)

-The fan selected should be such that, it should satisfy the airflow requirement along with the available space within your system.

4. Finalize the selected fan :

Calculate the temperature rise inside your system when your system is having 100 W of total heating value is forcefully cooled by the fan selected by you.

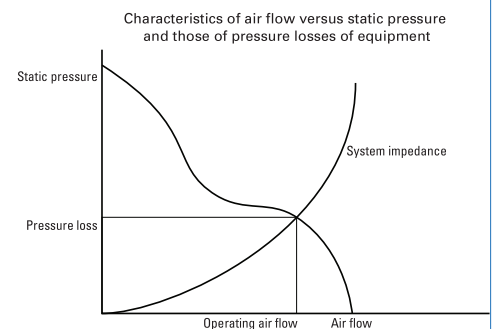
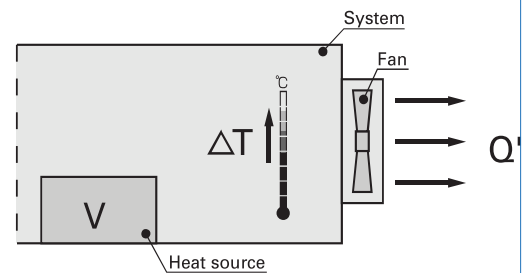
Example :

$Q' = Q \times 2/3 = 0.66 \times 2/3 = 0.44$ m³/min

$\Delta T = V / (20 \times Q') = 200 / (20 \times 0.44) = 22.72$ K

Therefore, the temperature rise in your system is 22.72 K.

Note that, the value obtained from above equation is rough value, final fan selection should be based on your actual installation test.

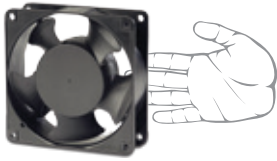


What is Ingress Protection

Ingress protection ratings or IP ratings, refer to the level of protection offered by an electrical enclosure, against solids and liquids.

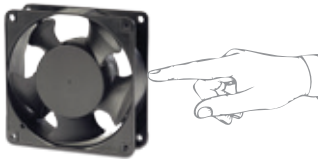
SOLIDS

1



Protected against a solid object greater than 50mm such as hand

2



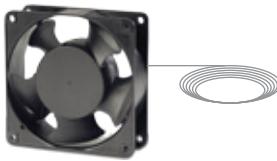
Protected against a solid object greater than 12.5mm such as finger

3



Protected against a solid object greater than 2.5mm such as a screwdriver

4



Protected against a solid object greater than 1mm such as a wire

5



Dust protected, limited ingress of dust permitted. Will not interfere with operation of the equipment. Two to eight hours

6



Dust tight, no ingress of dust. Two to eight hours

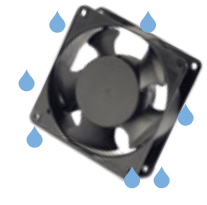
WATER

1



Protected against vertically falling drop of water. Limited ingress permitted. Duration 10 minutes

2



Protected against vertically falling drops of water with Fan tilted up to 15 degrees from the vertical. Duration 10 minutes, shall have no harmful effect.

3



Protected against sprays of water up to 60 degrees from the vertical. Duration 5 minutes, shall have no harmful effect.

4



Protected against water splashed from all directions. Duration 5 minutes, shall have no harmful effect.

5



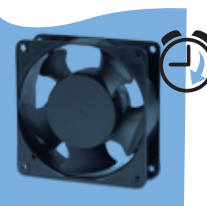
Protected against jets of water. Duration 3 minutes, shall have no harmful effect.

6



Water projected from powerful source shall not enter the enclosure in harmful effect.

7



Protection against the effects of immersion in water between 15cm and 1 meter for 30 minutes

8



Protection against the effects of immersion in water under pressure for long periods

IP Ratings Explained

E.g. IP **4** **4**

The first digit (4) represents the protection against solid objects and the second number (4), against water

Certifications



Statement of Confirmation

No.: CE18-19182

Client's reference - Technical File Number:

Name & Address of the Manufacturer:
Hicool Electronic Industries
 Plot no. A/104
 TTC Ind. Area, MIDC Khairne,
 Navi Mumbai-400710
 INDIA.

Product Nomenclature: Axial Fans
 Model Number: 26-300, 48-300, 40-300, 20-300, 225A, 225A, 26-250, 48-250, 40-250, 20-250, 280A, 280A, 280C, 48-300, 48-300, 40-300, 20-300, 48-450, 40-450, 48-500, 40-500, 48-550, 40-550, 48-600, 40-600, 80-600, 40-630

Review Results/Observations
 The Technical File referenced above submitted by the manufacturer has been reviewed for its document contents. The Technical File generally covers the documentation content requirements of the European Directives:

- Low Voltage Directive 2014/35/EU
- RoHS Directive 2011/65/EU

Standards Referred to: EN 10384-1:2010

Marking on the Product:

Date of Review: 07 February 2019

Mahesh Gaur
 Head - CE Certification

Job no: 019218248
 Intertek@india.intertek.com Tel: +91-22-66471000
 Website: www.intertek.com

Registered & Head Office: 8th, Panchsheel Park, New Delhi - 110017, India

intertek

Test Verification of Conformity

Verification Number: CE-JOB-MUM-21-001101

On the basis of the tests undertaken, the sample of the below product have been found to comply with the requirements of the referenced standards at the time the tests were carried out. This verification is part of the full test report and should be read in conjunction with it.

Applicant Name & Address:
Hicool Electronic Industries
 A-104, TTC Industrial Area
 MIDC Khairne Navi Mumbai - 400710
 Maharashtra, India

Product Description:
 Motor

Rating & Principle Characteristic:
 Motor: E34 230VAC-05 - 230V/50Hz, 0.28 1/230W
 Motor: E34 230VAC-08 - 230V/50Hz, 0.58 30 150W
 Motor: E34 230VAC-08 - 230V/50Hz, 0.424 24 60W

Model/Type Reference:
 E34 230VAC-05, E34 230VAC-08, E34 230VAC-08

Brand Name:
HICOOL

Specification/Standards:
 CE 2014/35-EU 2011/65-EU for use in conjunction with
 CE 2014/35-EU, CE 2011/65-EU, CE 2010, CE 2010, CE 2010, CE 2010, CE 2010, CE 2010, CE 2010

Verification Issuing Office Name & Address:
 Intertek India Private Limited
 F Wing, Taty Centre, Chandrahal Park Road,
 Sakinaka (East), Mumbai-400072, India

Date of Test:
 28-07-2021 to 30-08-2021

Test Report Number(s):
 ULA-TEST1313880000179

Additional information: Motor used in chest freezer and air cooler appliances.

Signature:
 Name: Jagjit Kaur
 Senior Technical Manager
 Date: 03 Oct, 2021

Statement of Confirmation

No.: CE18-19118

Client's reference - Technical File Number:

Name & Address of the Manufacturer:
Hicool Electronic Industries
 Plot no. A/104
 TTC Ind. Area, MIDC Khairne,
 Navi Mumbai-400710
 INDIA.

Product Nomenclature: Q Motor
 Model Number: 83A230SAC-6, 83A230SAC-18, 83A230SAC-18, 83A230SAC-25, 83A230SAC-34

Review Results/Observations
 The Technical File referenced above submitted by the manufacturer has been reviewed for its document contents. The Technical File generally covers the documentation content requirements of the European Directives:

- Low Voltage Directive 2014/35/EU
- RoHS Directive 2011/65/EU

Standards Referred to: EN 60284-1:2010

Document issued by the Manufacturer: Declaration of Conformity

Marking on the Product:

Date of Review: 07 February 2019

Mahesh Gaur
 Head - CE Certification

Job no: 019218248
 Intertek@india.intertek.com Tel: +91-22-66471000
 Website: www.intertek.com

Registered & Head Office: 8th, Panchsheel Park, New Delhi - 110017, India

CERTIFICATE OF COMPLIANCE

Certificate Number: 20170210-E235304
 Report Reference: E235304-20030910
 Issue Date: 2017-FEBRUARY-10

Issued to: **HICOOL ELECTRONIC INDUSTRIES**
 A-104
 TTC INDUSTRIAL AREA
 MIDC KHAIRNE
 NEW BOMBAY MH 400710 INDIA

This is to certify that **COMPONENT - FANS, ELECTRIC**

is certified by UL in accordance with the requirements of the Standard(s) indicated on this Certificate.

for Safety for Electric Fans
 -15, Standard for Fans and Ventilators
 Certifications Directory at www.ul.com for additional information

is considered as being covered by UL's Recognition Program. The manufacturer's identification and catalog number, model number or other product designation as specified under "Marking" for the particular product, as published in the appropriate UL Directory, is a supplementary means of identifying products that have been produced under UL's Component Recognition Program. UL's Recognized Component Mark may be used in conjunction with the required Recognized Marks. The Recognized Component Mark is required when specified in the UL Directory preceding the recognitions or under "Markings" for the individual recognitions.

Recognized components are incomplete in certain constructional features or restricted in performance capabilities and are intended for use as components of complete equipment submitted for investigation rather than for direct separate installation in the field. The final acceptance of the component is dependent upon its installation and use in complete equipment submitted to UL LLC.

Look for the UL Certification Mark on the product.

Standard(s) for Safety: UL 507, Electric Fans
 CSA C22.2, No. 113-10, Fans and ventilators

Additional Information: See the UL Online Certifications Directory at www.ul.com/database for additional information

Only those products bearing the UL Certification Mark should be considered as being covered by UL's Certification and Follow-Up Service.

The UL Recognized Component Mark generally consists of the manufacturer's identification and catalog number, model number or other product designation as specified under "Marking" for the particular product, as published in the appropriate UL Directory. As a supplementary means of identifying products that have been produced under UL's Component Recognition Program, UL's Recognized Component Mark may be used in conjunction with the required Recognized Marks. The Recognized Component Mark is required when specified in the UL Directory preceding the recognitions or under "Markings" for the individual recognitions.

Recognized components are incomplete in certain constructional features or restricted in performance capabilities and are intended for use as components of complete equipment submitted for investigation rather than for direct separate installation in the field. The final acceptance of the component is dependent upon its installation and use in complete equipment submitted to UL LLC.

Look for the UL Certification Mark on the product.

Page 1 of 2



Bureau Veritas Certification

HICOOL ELECTRONIC INDUSTRIES

FL01/NC: A-104, TTC IND. AREA, MIDC, KHAIRNE, NAVI MUMBAI - 400 710, MAHARASHTRA, INDIA.

Bureau Veritas Certification Holding SAS - BV Bureau certifies that the Management System of the above organization has been audited and found to be in accordance with the requirements of the Management System Standard specified below.

Standard: **ISO 9001:2015**

Scope of certification:
DESIGN & DEVELOPMENT, MANUFACTURE AND SUPPLY OF INSTRUMENT COOLING FANS AND MOTORS FOR REFRIGERATION.

Original cycle start date: 28 April 2020
 Expiry date of previous cycle: 27 April 2021
 Recertification Audit date: 11 March 2021
 Recertification cycle start date: 02 April 2021
 Subject to the continued satisfactory operation of the organization's Management System, this certificate expires on: 27 April 2024
 Certificate No.: IND 21.8114/0M/20 Version: 1 Revision date: 02 April 2021

Signature:

Job no: 019218248
 Intertek@india.intertek.com Tel: +91-22-66471000
 Website: www.intertek.com

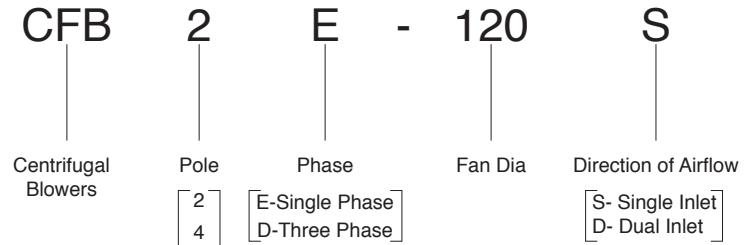
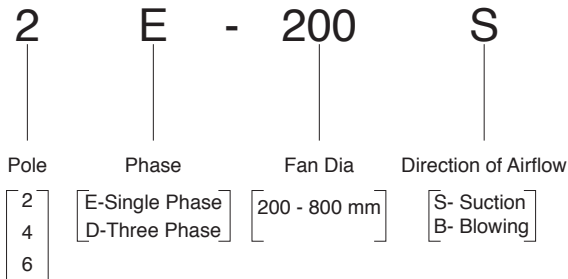


Compact - AC
 Compact - EC
 Compact - DC
 Compact - All Metal
 Large Axial Fans
 Ventilation Fans
 Backward Curved Fans
 Centrifugal Blower
 Q Motors
 Elevator Cabin Fans
 C Frame Motors
 Accessories

Product Nomenclature

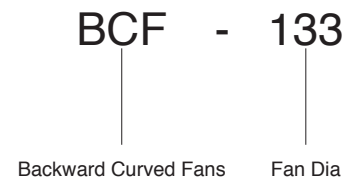
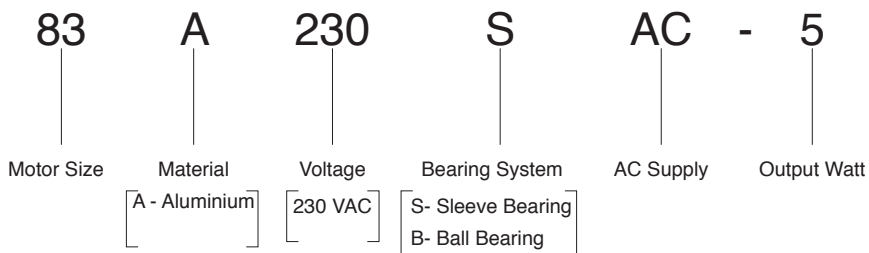
Large Axial Fans

Centrifugal Blowers

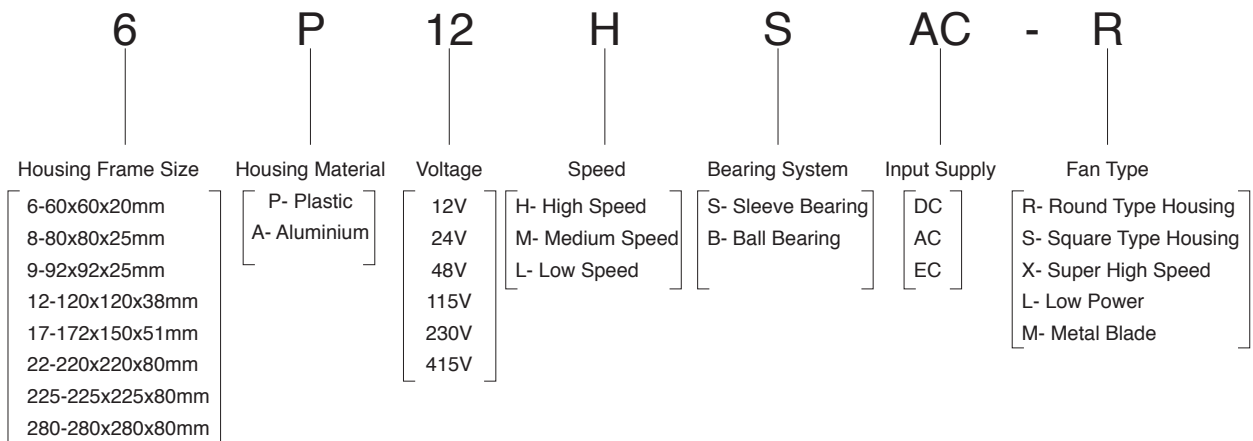


Q-Motors

Backward Curved Fans



Compact Fans



Industries Served



Commercial Refrigeration



Electricals & Electronics



Railways



Machinery & Equipments



HVAC



Network & Telecom



Compact Fans - AC



Compact Fans - AC



Model	Bearing	Voltage (VAC)	Frequency (Hz)	Current (A)	Speed (RPM)	Watt (W)	Air Flow (CFM)	Static Pressure (mm H ₂ O)	Noise (dBA)
-------	---------	---------------	----------------	-------------	-------------	----------	----------------	---------------------------------------	-------------

80X80X25mm

8A115HBAC	Ball	115	50/60	0.210/0.180	2300/2800	14/12	21/25	4/4.8	29/34
8A115HSAC	Sleeve	115	50/60	0.210/0.180	2300/2800	14/12	21/25	4/4.8	29/34
8A230HBAC	Ball	230	50/60	0.070/0.060	2300/2800	14/12	21/25	4/4.8	29/34
8A230HSAC	Sleeve	230	50/60	0.070/0.060	2300/2800	14/12	21/25	4/4.8	29/34

92X92X25mm

9A115HBAC	Ball	115	50/60	0.210/0.180	2300/2800	14/14	36/42	5/6	36/38
9A115HSAC	Sleeve	115	50/60	0.210/0.180	2300/2800	14/14	36/42	5/6	36/38
9A230HBAC	Ball	230	50/60	0.070/0.060	2300/2800	14/12	36/42	5/6	36/38
9A230HSAC	Sleeve	230	50/60	0.070/0.060	2300/2800	14/12	36/42	5/6	36/38

120X120X38mm

12A24HBAC	Ball	24	50/60	1/0.9	2650/2800	18/17	95/102	8.4/9.4	43/46
12A24HSAC	Sleeve	24	50/60	1/0.9	2650/2800	18/17	95/102	8.4/9.4	43/46
12A115HBAC	Ball	115	50/60	0.200/0.180	2650/2800	14/12	95/102	8.4/9.4	43/46
12A115HSAC	Sleeve	115	50/60	0.200/0.180	2650/2800	14/12	95/102	8.4/9.4	43/46
12A230HBAC	Ball	230	50/60	0.100/0.090	2650/2800	18/17	95/102	8.4/9.4	43/46

■ Ask for Low Noise versions

Specifications subject to change without notice

Compact Fans - AC



Model	Bearing	Voltage (VAC)	Frequency (Hz)	Current (A)	Speed (RPM)	Watt (W)	Air Flow (CFM)	Static Pressure (mm H ₂ O)	Noise (dBA)
-------	---------	---------------	----------------	-------------	-------------	----------	----------------	---------------------------------------	-------------

120X120X38mm

12A230HSAC	Sleeve	230	50/60	0.100/0.090	2650/2800	18/17	95/102	8.4/9.4	43/46
12A415HBAC	Ball	415	50/60	0.070/0.060	2650/2800	20/20	95/102	8.4/9.4	43/46
12A415HSAC	Sleeve	415	50/60	0.070/0.060	2650/2800	20/20	95/102	8.4/9.4	43/46

172Φx150x51mm & 172x172x55mm

17A115HBAC	Ball	115	50/60	0.450/0.450	2600/2750	41/38	190/235	16/21	52/55
17A115HSAC	Sleeve	115	50/60	0.450/0.450	2600/2750	41/38	190/235	16/21	52/55
17A230HBAC	Ball	230	50/60	0.250/0.245	2600/2750	38/37	190/235	16/21	52/55
17A230HSAC	Sleeve	230	50/60	0.250/0.245	2600/2750	38/37	190/235	16/21	52/55
17A415HBAC	Ball	415	50/60	0.125/0.125	2600/2750	38/38	190/235	16/21	52/55
17A415HSAC	Sleeve	415	50/60	0.125/0.125	2600/2750	38/38	190/235	16/21	52/55

220ΦX60mm & 220X220X60mm

22A115HBAC	Ball	115	50	0.640	2300	50	360	23	56
22A115HSAC	Sleeve	115	50	0.640	2300	50	360	23	56
22A115HBAC-X	Ball	115	50	0.650	2600	55	430	28	56

■ Ask for Low Noise versions

Specifications subject to change without notice

17A and 22A models available in square and round casings

Compact Fans - AC



Model	Bearing	Voltage (VAC)	Frequency (Hz)	Current (A)	Speed (RPM)	Watt (W)	Air Flow (CFM)	Static Pressure (mm H ₂ O)	Noise (dBA)
220ΦX60mm & 220X220X60mm									
22A115HBAC-X-6H	Ball	115	60	0.700	2600	55	430	28	56
22A230HBAC	Ball	230	50	0.320	2300	50	360	23	56
22A230HSAC	Sleeve	230	50	0.320	2300	50	360	23	56
22A230HSAC-X	Sleeve	230	50	0.32	2600	55	430	28	56
22A230HSAC-X-6H	Sleeve	230	60	0.40	2700	60	450	29	57
22A230HBAC-X	Ball	230	50	0.32	2600	55	430	28	56
22A230HBAC-X-6H	Ball	230	60	0.40	2700	60	450	29	57
22A415HBAC	Ball	415	50	0.200	2300	50	360	23	56
22A415HSAC	Sleeve	415	50	0.200	2300	50	360	23	56
22A415HSAC-X	Sleeve	415	50	0.160	2600	50	430	28	56
22A415HBAC-X	Ball	415	50	0.160	2600	50	430	28	56

■ Ask for Low Noise versions

Specifications subject to change without notice

17A and 22A models available in square and round casings



Compact Fans - EC



Compact Fans - EC



Model	Bearing	Voltage (VAC)	Frequency (Hz)	Current (A)	Speed (RPM)	Watt (W)	Air Flow (CFM)	Static Pressure (mm H ₂ O)	Noise (dBA)
-------	---------	---------------	----------------	-------------	-------------	----------	----------------	---------------------------------------	-------------

120X120X38mm

12P115HBEC	Ball	115	50/60	0.05	2600	5.5	95	7	43
12P115HSEC	Sleeve	115	50/60	0.05	2600	5.5	95	7	43
12P230HBEC	Ball	230	50/60	0.04	2600	5.5	95	7	43
12P230HSEC	Sleeve	230	50/60	0.04	2600	5.5	95	7	43
B12038230H	Ball	230	50/60	0.250	4500	30	243	29.2	64

172X150X51mm

17A115HBEC	Ball	115	50/60	0.14	2600	12	190	16	52
17A115HSEC	Sleeve	115	50/60	0.14	2600	12	190	16	52
17A230HBEC	Ball	230	50/60	0.11	2600	12	190	16	52
17A230HSEC	Sleeve	230	50/60	0.11	2600	12	190	16	52

220X60mm

22A115HBEC	Ball	115	50/60	0.22	2500	22	405	24	56
22A230HBEC	Ball	230	50/60	0.17	2500	22	405	24	56



Compact Fans - DC Brushless



Compact Fans - DC Brushless



Model	Bearing	Voltage (VDC)	Current (A)	Speed (RPM)	WATT (W)	Air Flow (CFM)	Static Pressure (mm H ₂ O)	Noise (dBA)
-------	---------	---------------	-------------	-------------	----------	----------------	---------------------------------------	-------------

20X20X10mm (Also available 20X20X20mm)

2P10HSDC	Sleeve	10	0.080	10000	0.51	2.50	3.90	27.00
2P10HBDC	Ball	10	0.080	10000	0.51	2.50	3.90	27.00

30X30X10mm (Also available 30X30X20mm)

3P05HSDC10-X	Sleeve	5	0.160	8000	0.8	3.56	3.76	23.23
3P05HBDC10-X	Ball	5	0.160	8000	0.8	3.56	3.76	23.23
3P05HSDC10-1X	Sleeve	5	0.200	9500	1	4.23	4.47	28.46
3P05HBDC10-1X	Ball	5	0.200	9500	1	4.23	4.47	28.46
3P12HSDC10-X	Sleeve	12	0.090	8000	1.08	3.56	3.76	23.23
3P12HBDC10-X	Ball	12	0.090	8000	1.08	3.56	3.76	23.23
3P12HSDC10-1X	Sleeve	12	0.120	9500	1.44	4.23	4.47	28.46
3P12HBDC10-1X	Ball	12	0.120	9500	1.44	4.23	4.47	28.46

40X40X10mm (Also available 40X40X20mm)

4P05HSDC10-X	Sleeve	5	0.180	5400	0.9	5.62	2.91	24.87
4P05HBDC10-X	Ball	5	0.180	5400	0.9	5.62	2.91	24.87
4P05HSDC10-1X	Sleeve	5	0.240	6000	1.2	6.4	3.31	26.26
4P05HBDC10-1X	Ball	5	0.240	6000	1.2	6.4	3.31	26.26
4P12HSDC10-X	Sleeve	12	0.080	5400	0.96	5.62	2.91	24.87
4P12HBDC10-X	Ball	12	0.080	5400	0.96	5.62	2.91	24.87

Additional Features - Fan Failure Alarm ■ Alarm Signal For Speed Monitoring ■ PWM ■ Higher Air Flow ■ Non-standard voltages ■ 17A and 22A models available in square and round casings

Compact Fans - DC Brushless



Model	Bearing	Voltage (VDC)	Current (A)	Speed (RPM)	WATT (W)	Air Flow (CFM)	Static Pressure (mm H ₂ O)	Noise (dBA)
40X40X10mm / 40X40X20mm								
4P12HSDC10-1X	Sleeve	12	0.100	6000	1.2	6.4	3.31	26.26
4P12HBDC10-1X	Ball	12	0.100	6000	1.2	6.4	3.31	26.26
4P12HSDC20-X	Sleeve	12	0.110	6200	1.32	7.1	3.98	29.07
4P12HBDC20-X	Ball	12	0.150	7500	1.8	8.6	5.58	33.6
50X50X15mm / 50X50X20mm								
5P12HSDC-15	Sleeve	12	0.140	6000	1.68	18.80	6.80	37.20
5P12HSDC-15	Sleeve	12	0.150	7600	1.8	21.00	12.20	40.00
5P24HBDC-20	Ball	24	0.150	7500	3.6	20.50	12.20	40.00
60X60X25mm (Also available 60X60X15mm and 60X60X20mm)								
6P12HSDC	Sleeve	12	0.110	4300	1.32	18	3.8	33
6P12HBDC	Ball	12	0.080	4300	0.96	18	3.8	33
6P12HSDC-X	Sleeve	12	0.120	5000	1.44	21	4.0	35
6P12HBDC-X	Ball	12	0.120	5000	1.44	21	4.0	35
6P12HSDC-1X	Sleeve	12	0.130	6000	1.56	32	8.5	41
6P12HBDC-1X	Ball	12	0.130	6000	1.56	32	8.5	41
6P24HSDC	Sleeve	24	0.060	4300	1.44	18	3.8	33

Additional Features - Fan Failure Alarm ■ Alarm Signal For Speed Monitoring ■ PWM ■ Higher Air Flow ■ Non-standard voltages ■ 17A and 22A models available in square and round casings

Compact Fans - DC Brushless



Model	Bearing	Voltage (VDC)	Current (A)	Speed (RPM)	WATT (W)	Air Flow (CFM)	Static Pressure (mm H ₂ O)	Noise (dBA)
-------	---------	---------------	-------------	-------------	----------	----------------	---------------------------------------	-------------

60X60X25mm (Also available 60X60X15mm and 60X60X20mm)

6P24HBDC	Ball	24	0.060	4300	1.44	18	3.8	33
6P24HSDC-X	Sleeve	24	0.065	5000	1.56	21	4.0	35
6P24HBDC-X	Ball	24	0.065	5000	1.56	21	4.0	35
6P24HSDC-1X	Sleeve	24	0.070	6000	1.68	32	8.5	41
6P24HBDC-1X	Ball	24	0.070	6000	1.68	32	8.5	41

80X80X25mm (Available upto 58 CFM)

8P12HSDC-L	Sleeve	12	0.120	3000	1.44	39	3.8	32
8P12HBDC-L	Ball	12	0.120	3000	1.44	39	3.8	32
8P12HSDC-X	Sleeve	12	0.140	3200	1.68	41	4.5	33
8P12HBDC-X	Ball	12	0.140	3200	1.68	41	4.5	33
8P12HSDC-1X	Sleeve	12	0.150	3600	1.80	47	4.8	38
8P12HBDC-1X	Ball	12	0.150	3600	1.80	47	4.8	38
8P24HSDC-L	Sleeve	24	0.060	3000	1.44	39	3.8	32
8P24HBDC-L	Ball	24	0.060	3000	1.44	39	3.8	32
8P24HSDC-X	Sleeve	24	0.085	3200	2.04	41	4.5	33

Additional Features - Fan Failure Alarm ■ Alarm Signal For Speed Monitoring ■ PWM ■ Higher Air Flow ■ Non-standard voltages ■ 17A and 22A models available in square and round casings

Compact Fans - DC Brushless



Model	Bearing	Voltage (VDC)	Current (A)	Speed (RPM)	Watt (W)	Air Flow (CFM)	Static Pressure (mm H ₂ O)	Noise (dBA)
80X80X25mm (Available upto 58 CFM)								
8P24HBDC-X	Ball	24	0.085	3200	2.04	41	4.5	33
8P24HSDC-1X	Sleeve	24	0.110	3600	2.64	47	4.8	38
8P24HBDC-1X	Ball	24	0.110	3600	2.64	47	4.8	38
8P24HBDC-2X	Ball	24	0.140	4000	3.36	52	5.0	41
92X92X25mm (Available upto 65 CFM)								
9P12HSDC	Sleeve	12	0.200	2500	2.40	55	5	40
9P12HBDC	Ball	12	0.200	2500	2.40	55	5	40
9P24HSDC	Sleeve	24	0.120	2500	2.88	55	5	40
9P24HBDC	Ball	24	0.120	2500	2.88	55	5	40
120X120X38mm (Available upto 240 CFM)								
12P12HSDC	Sleeve	12	0.550	2700	6.6	105	8	45
12P12HBDC	Ball	12	0.550	2700	6.6	105	8	45
120X120X38mm (Available upto 240 CFM)								
12P24HSDC	Sleeve	24	0.250	2700	6.0	105	8	45
12P24HBDC	Ball	24	0.250	2700	6.0	105	8	45
12P24HBDC-1X	Ball	24	0.400	3100	9.6	118	8.50	47
12P24HBDC-2X	Ball	24	0.60	3300	14.6	138	9.0	48
12P24HBDC-3X	Ball	24	0.80	4200	19.2	190	17.1	54.6

Additional Features - Fan Failure Alarm ■ Alarm Signal For Speed Monitoring ■ PWM ■ Higher Air Flow ■ Non-standard voltages ■ 17A and 22A models available in square and round casings

Compact Fans - DC Brushless



Model	Bearing	Voltage (VDC)	Current (A)	Speed (RPM)	Watt (W)	Air Flow (CFM)	Static Pressure (mm H ₂ O)	Noise (dBA)
-------	---------	---------------	-------------	-------------	----------	----------------	---------------------------------------	-------------

120X120X38mm (Available upto 240 CFM)

12P48HBDC	Ball	48	0.125	2700	6.0	105	8	45
12P48HSDC	Sleeve	48	0.125	2700	6.0	105	8	45
12P48HBDC-1X	Ball	48	0.25	3100	12	118	8.50	47
12P48HBDC-2X	Ball	48	0.30	3300	14.4	138	9.0	48
12P48HBDC-3X	Ball	48	0.48	4200	23.0	190	17.1	54.6
12P48H1BDC(240CFM)	Ball	48	1.33	5500	63.8	285	47.1	69.5

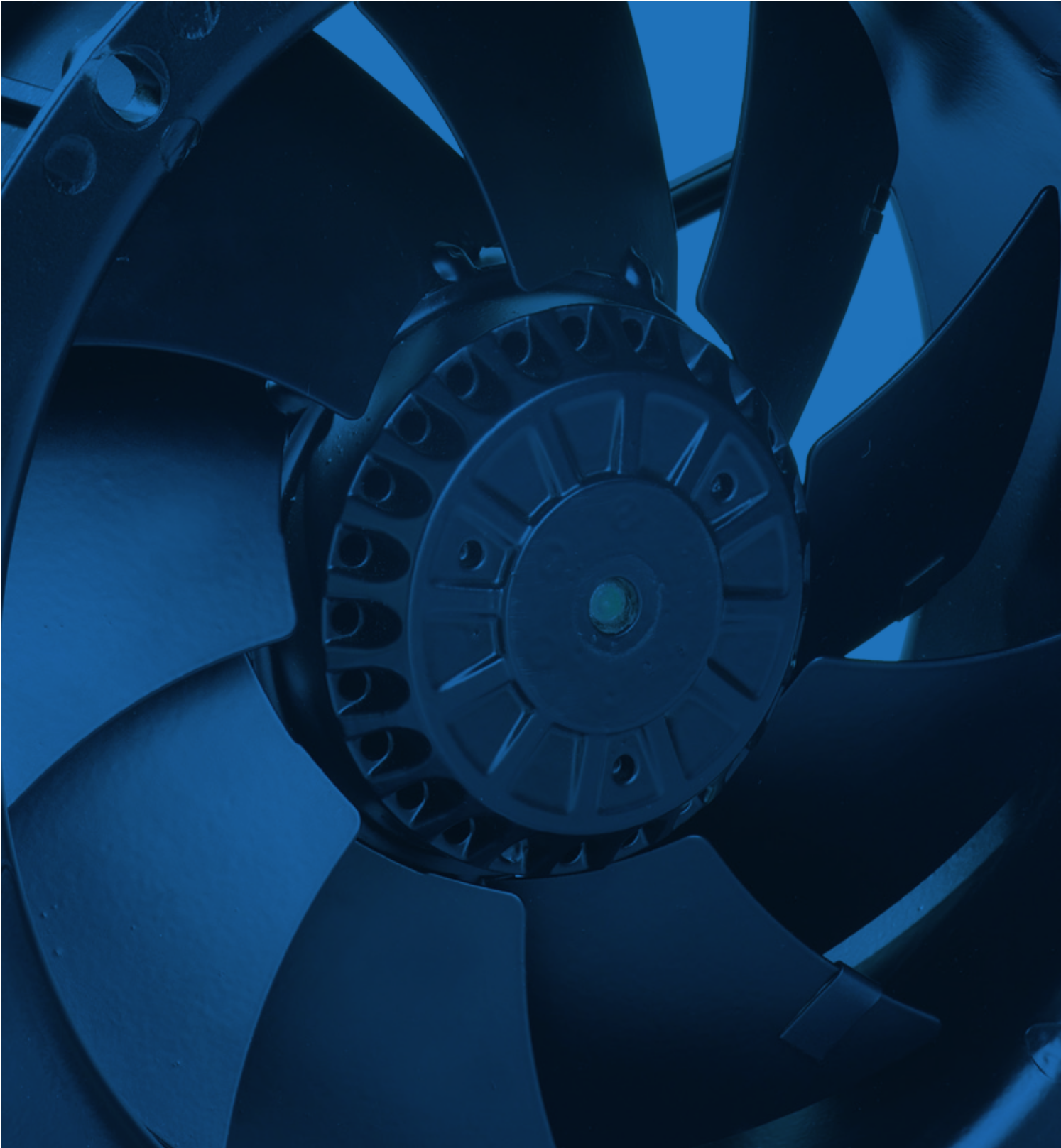
172X150X51mm & 172X172X55mm (Available upto 282 CFM)

17A12HBDC	Ball	12	1.6	3000	19.2	210	13	58
17A24HBDC	Ball	24	0.75	3000	18.0	210	13	58
17A48HBDC	Ball	48	0.45	3000	21.6	210	13	58

220ΦX60mm & 220X220X60mm

22A12HBDC	Ball	12	4.00	2900	48	400	28	62
22A24HBDC	Ball	24	1.50	2900	36	400	28	62
22A48HBDC	Ball	48	1.00	2900	48	400	28	62

Additional Features - Fan Failure Alarm ■ Alarm Signal For Speed Monitoring ■ PWM ■ Higher Air Flow ■ Non-standard voltages ■ 17A and 22A models available in square and round casings



Compact Fans - All Metal



Compact Fans - All Metal



AC Axial

Model	Bearing	Voltage (VAC)	Frequency (Hz)	Current (mA)	Speed (RPM)	Watt (W)	Air Flow (CFM)	Static Pressure (mm H ₂ O)	Noise (dBA)
-------	---------	---------------	----------------	--------------	-------------	----------	----------------	---------------------------------------	-------------

120 x 120 x 38 mm - Metal

12A230HBAC-M	Ball	230	50/60	100/90	2700/3100	17/15	95/107	8.4/9.4	42/46
--------------	------	-----	-------	--------	-----------	-------	--------	---------	-------

172 x 150 x 55 mm - Metal

17A230HBAC-M	Ball	230	50/60	250/230	2800/3250	42/42	195/230	14/16	49/53
--------------	------	-----	-------	---------	-----------	-------	---------	-------	-------

225 x 225 x 80 mm - Metal

225A230HBAC-M	Ball	230	50/60	300/325	2500/2800	65/70	530/600	17/14	59/61
---------------	------	-----	-------	---------	-----------	-------	---------	-------	-------

280 x 280 x 80 mm - Metal

280A230HBAC-M	Ball	230	50/60	590/820	2500/2700	119/130	1090/1130	16.5/20	68/70
---------------	------	-----	-------	---------	-----------	---------	-----------	---------	-------

Also available 115VAC & 415VAC

DC Brushless

Model	Bearing*	Voltage (VDC)	Current (mA)	Speed (RPM)	Watt (W)	Air Flow (CFM)	Static Pressure (mm H ₂ O)	Noise (dBA)
-------	----------	---------------	--------------	-------------	----------	----------------	---------------------------------------	-------------

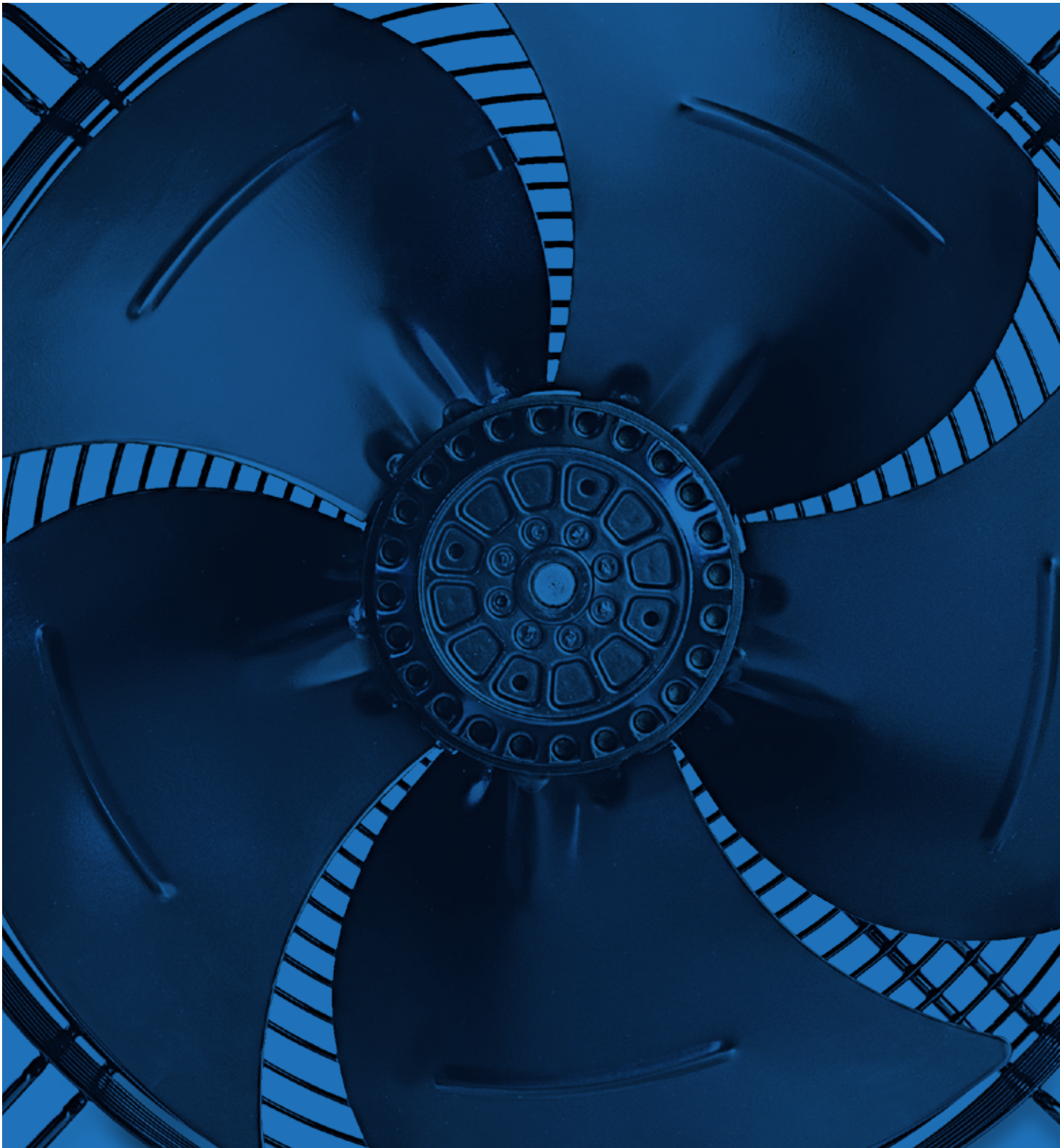
225 x 225 x 80 mm - Metal

225A48HBDC - M	Ball	48	1100	2850	52.8	647	25	67
----------------	------	----	------	------	------	-----	----	----

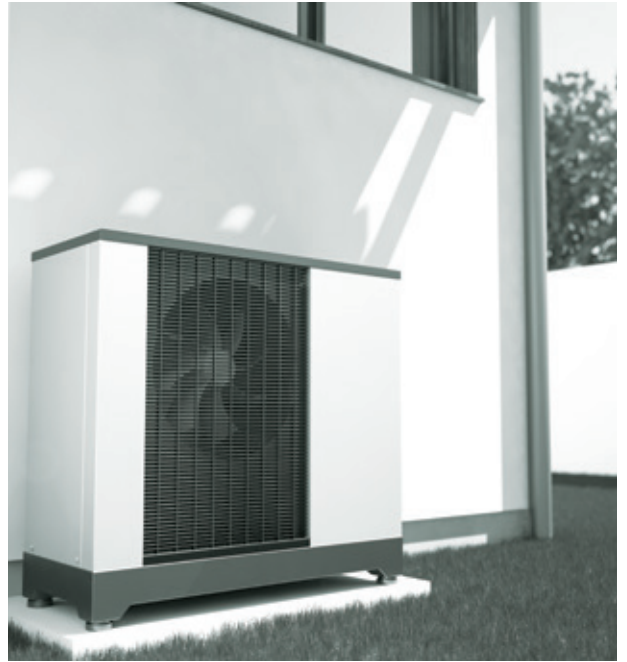
280 x 280 x 80 mm - Metal

280A48HBDC - M	Ball	48	1900	2700	91.2	1130	22	69
----------------	------	----	------	------	------	------	----	----

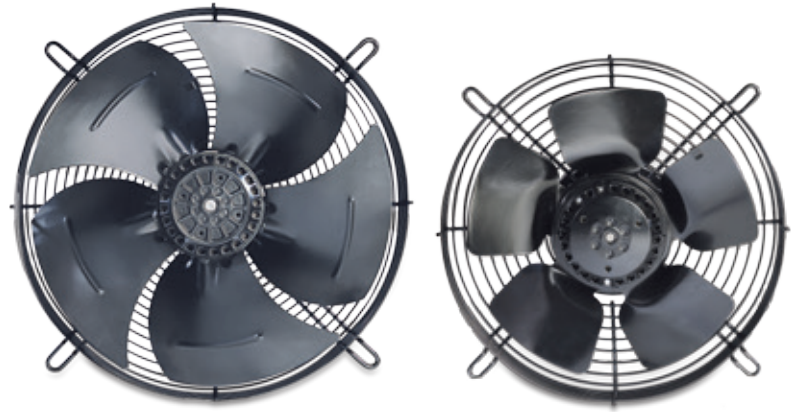
Specifications subject to change without notice



Large Axial Fans



Large Axial Fans



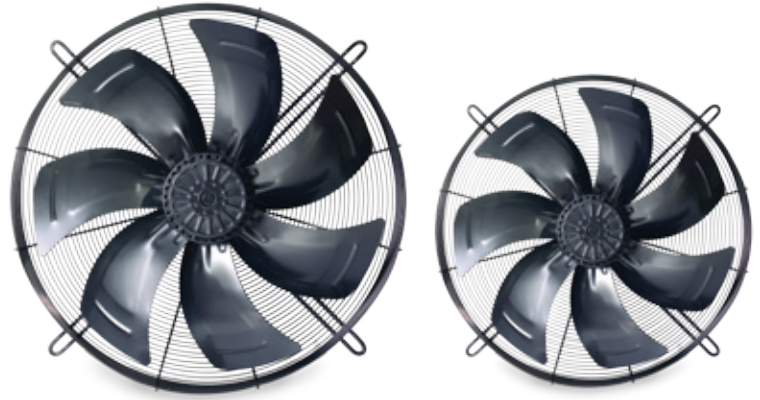
Model	Size in inch	Poles	Phase	Voltage (VAC)	Current (A)	Power (W)	Speed (RPM)	Airflow (M³/hr)	Airflow (CFM)	Noise dBA	Capacitor uf	wt Kg
2E-200	8	2	Single	230	0.30	65	2400	850	500	55	2	2.5
4E-200	8	4	Single	230	0.21	45	1450	450	265	46	1.5	2.5
4D-200	8	4	Three	415	0.12	35	1450	450	265	46	-	2.5
2D-200	8	2	Three	415	0.22	80	2400	850	500	55	-	2.5
2E-250	10	2	Single	230	0.55	115	2400	1730	1018	65	3/3.15	3.0
4E-250	10	4	Single	230	0.30	60	1400	950	559	53	2	3.0
4D-250	10	4	Three	415	0.25	60	1400	950	559	53	-	3.0
2D-250	10	2	Three	415	0.25	115	2400	1730	1018	65	-	3.0
2E-300	12	2	Single	230	0.65	145	2300	2300	1354	65	4	3.3
4E-300	12	4	Single	230	0.42	85	1380	1850	1089	54	3/3.15	3.3
4D-300	12	4	Three	415	0.22	80	1380	1850	1089	54	-	3.3
2D-300	12	2	Three	415	0.35	145	2300	2300	1354	65	-	3.3
4E-350	14	4	Single	230	0.65	140	1380	2600	1530	58	4	4.9
4D-350	14	4	Three	415	0.38	140	1380	2600	1530	58	-	4.9
4E-400	16	4	Single	230	0.82	180	1380	4000	2354	65	6	5.6
6E-400	16	6	Single	230	0.52	108	920	3300	1942	59	3	5.6
4D-400	16	4	Three	415	0.47	180	1380	4000	2354	65	-	5.6

Frequency (Hz) - 50
E-Single Phase D- Three Phase

All models available in Suction (S) and Blow (B)
Also available 115VAC

Specifications subject to change without notice
Also available in 6 pole motors

Large Axial Fans



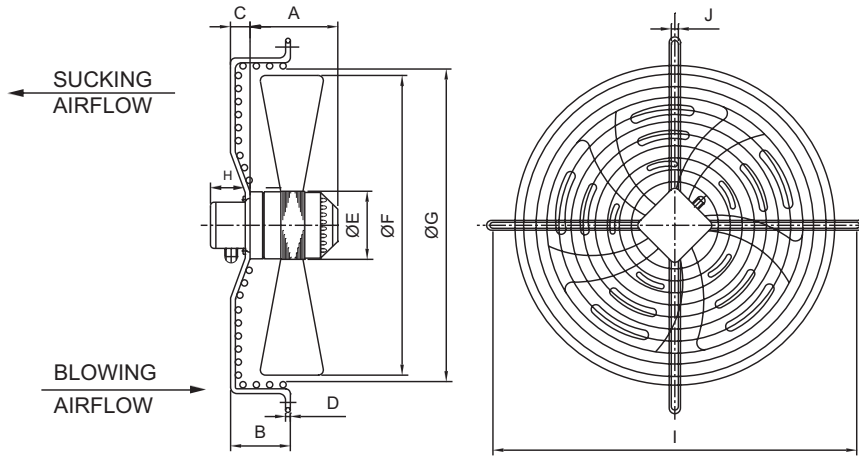
Model	Size in inch	Poles	Phase	Voltage (VAC)	Current (A)	Power (W)	Speed (RPM)	Airflow (M ³ /hr)	Airflow (CFM)	Noise dBA	Capacitor uf	wt Kg
4E-450	18	4	Single	230	1.2	250	1380	5500	3237	66	8	7.2
6E-450	18	6	Single	230	0.70	120	920	3780	2223	61	4	7.2
4D-450	18	4	Three	415	0.6	250	1380	5500	3237	66	-	7.2
4E-500	20	4	Single	230	1.75	380	1320	7200	4237	71	10	9.0
6E-500	20	6	Single	230	1.00	180	950	5720	3366	66	8	9.0
4D-500	20	4	Three	415	1.20	450	1410	7400	4355	71	-	9.0
4E-550	22	4	Single	230	2.55	600	1300	8500	5002	72	12	11.0
4D-550	22	4	Three	415	1.15	500	1400	8900	5238	72	-	11.0
4E-600	24	4	Single	230	3.2	700	1360	10040	5909	74	16	14.0
4D-600	24	4	Three	415	1.60	765	1370	11000	6478	74	-	14.0
6D-600	24	6	Three	415	1.6	520	950	9885	5818	70	-	14.0
4D-630	25	4	Three	415	1.6	815	1320	12420	7310	75	-	15.0
6D-630	25	6	Three	415	1.6	550	900	11785	6936	71	-	15.0
6D-710	28	6	Three	Δ415	1.9	900	900	15120	8899	73	-	30.0
6D-710	28	6	Three	Y415	1.15	650	730	13050	7681	72	-	30.0
6D-800	32	6	Three	Δ415	2.85	1200	920	20695	12181	75	-	35.0
6D-800	32	6	Three	Y415	1.65	930	770	17635	10380	74	-	35.0

Frequency (Hz) - 50
E-Single Phase D- Three Phase

All models available in Suction (S) and Blow (B)
Also available 115VAC

Specifications subject to change without notice
Also available in 6 pole motors

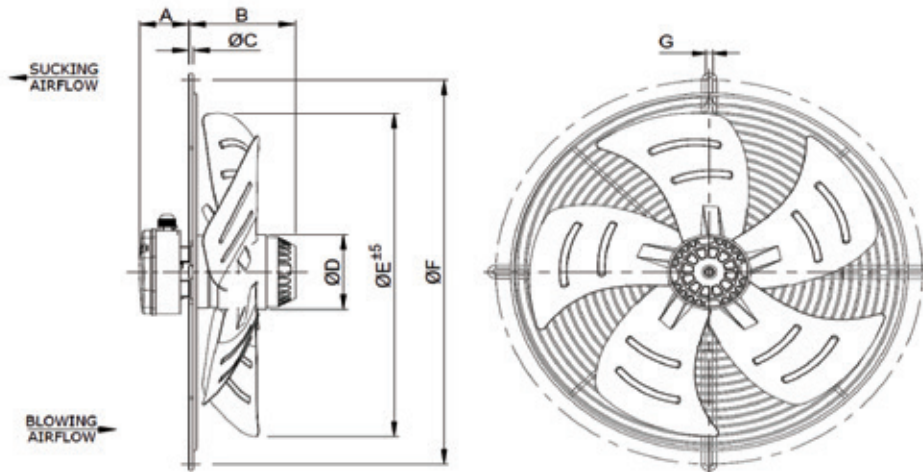
Basket Grill



Dimensions (mm)

Size	A	B	C	D	E	F	G	H	I	J
200	66	45	-	4	92	200	220	60	260	7
250	76	55	-	4	92	250	275	60	320	7
300	86	80	30	4	92	300	320	60	360	7
350	104	80	30	5	102	350	370	60	422	9.5
400	117	90	30	5	102	400	420	60	470	9.5
450	130	90	30	6	102	450	470	60	522	9.5
500	129	90	30	6	137	500	520	60	570	10.5
550	144	100	30	6	137	550	570	60	622	10.5
600	164	100	30	7.5	137	600	620	60	679	10.5
630	164	100	30	7.5	137	630	650	60	750	10.5
710	191	175	55	10	180	703	770	60	840	14.0
800	191	175	55	10	180	784	857	60	920	14.0

Flat Grill



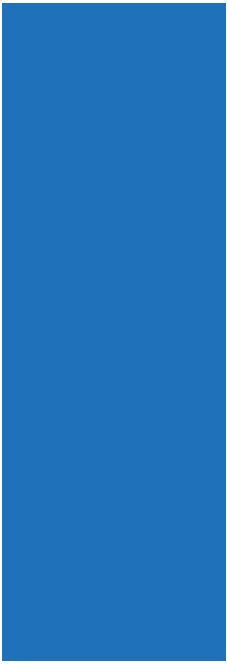
Dimensions (mm)

Size	A	B	C	D	E (+/-5)	F	G
200	60	66	4	92	200	260	6.5
250	60	76	4	92	250	320	6.5
300	60	86	4	92	300	360	7
350	60	109	5	102	350	422	9.5
400	60	122	5	102	400	470	9.5
450	60	135	5	102	450	522	9.5
500	60	133	6	137	500	570	10.5
550	60	143	6	137	550	622	9.3



Ventilation Fans

- Accessories
- C Frame Motors
- Elevator Cabin Fans
- Q Motors
- Centrifugal Blower
- Backward Curved Fans
- Ventilation Fans
- Large Axial Fans
- Compact - All Metal
- Compact - DC
- Compact - EC
- Compact - AC



Ventilation Fans



Model	Size in inch	Poles	Phase	Voltage (VAC)	Current (A)	Power (W)	Speed (RPM)	Airflow (M ³ /hr)	Airflow (CFM)	Noise (dBA)	Capacitor (μF)	wt (Kg)
HV2E200SSFPF	8	2	Single	230	0.3	65	2400	850	500	55	2	3
HV4E200SSFPF	8	4	Single	230	0.21	45	1450	450	265	46	1.5	3
HV2E250SSFPF	10	2	Single	230	0.55	115	2400	1730	1018	65	3/3.15	4
HV4E250SSFPF	10	4	Single	230	0.3	60	1400	950	559	53	2	4
HV2E300SSFPF	12	2	Single	230	0.66	145	2300	2300	1354	65	4	5
HV4E300SSFPF	12	4	Single	230	0.42	85	1380	1850	1089	54	3/3.15	5
HV4E350SSFPF	14	4	Single	230	0.65	140	1380	2600	1530	58	4	7
HV4D350SSFPF	14	4	Three	415	0.38	140	1380	2600	1530	58	--	7
HV4E400SSFPF	16	4	Single	230	0.82	180	1380	4000	2354	65	6	9
HV4D400SSFPF	16	4	Three	415	0.47	180	1380	4000	2354	65	--	9
HV4E450SSFPF	18	4	Single	230	1.2	250	1380	5500	3237	66	8	10
HV4D450SSFPF	18	4	Three	415	0.6	250	1380	5500	3237	66	--	10
HV4E500SSFPF	20	4	Single	230	1.75	380	1320	7200	4237	71	10	15
HV4D500SSFPF	20	4	Three	415	1.2	450	1410	7400	4355	71	--	15
HV4E550SSFPF	22	4	Single	230	2.55	600	1300	8500	5002	72	12	18
HV4D550SSFPF	22	4	Three	415	1.15	500	1400	8900	5238	72	--	18
HV4E600SSFPF	24	4	Single	230	3.2	700	1360	10040	5909	74	16	22
HV4D600SSFPF	24	4	Three	415	1.60	765	1370	11000	6478	74	--	22
HV4E630SSFPF	25	4	Single	230	3.5	750	1360	11785	6936	75	16	26
HV4D630SSFPF	25	4	Three	415	1.6	815	1320	12420	7310	75	--	26

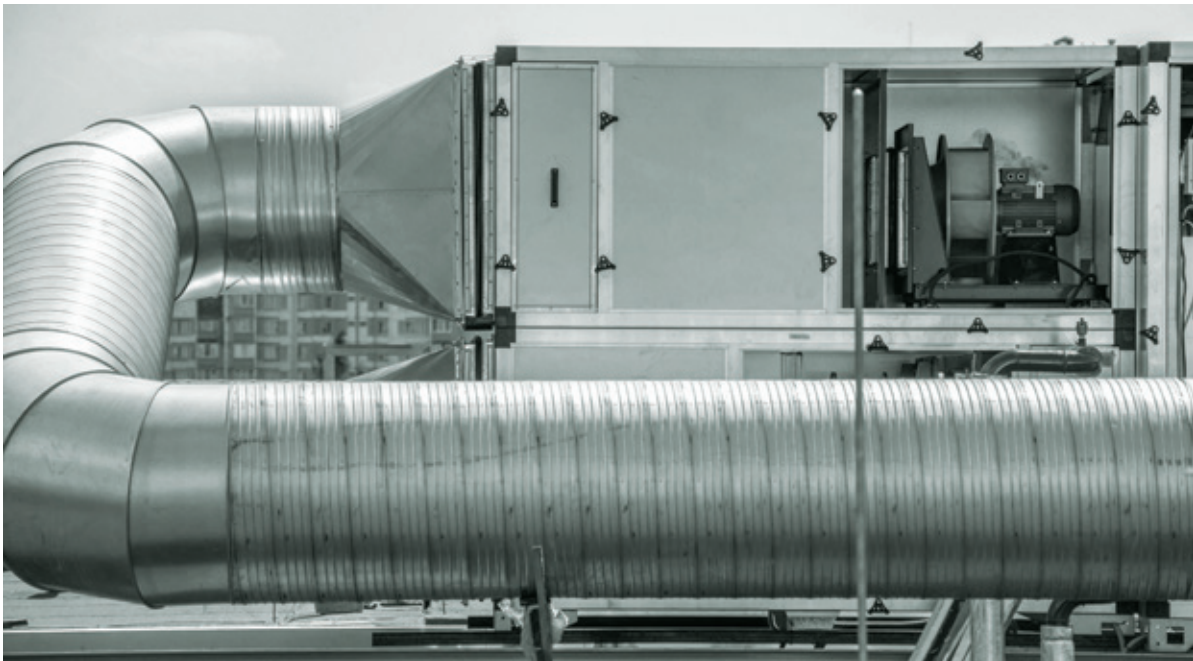
Frequency (Hz) - 50
E-Single Phase D - Three Phase

All models available in Suction (S) and Blow (B)
Also available in 115VAC

Specifications subject to change without notice
Few models available in 6 pole motors



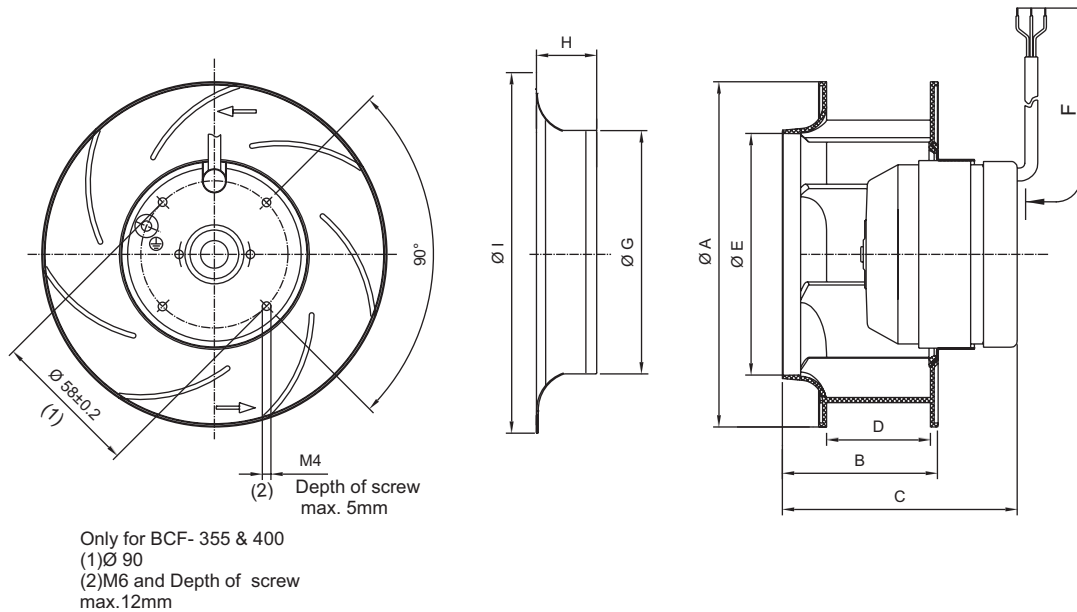
Backward Curved Fans



Backward Curved Fans



Model	Size mm	Phase	Voltage (VAC)	Frequency (Hz)	Current (A)	Power (W)	Speed (RPM)	Airflow (M ³ /hr)	Noise dBA	Cap µf/450V	wt Kg
BCF-133	Φ130 x 54	Single	230	50	0.12	26	2550	220	60/62	1	1
BCF-180	Φ180 x 49	Single	230	50/60	0.40/0.34	61/66	2500/2700	440/470	59/62	2	1.2
BCF-190	Φ192 x 60	Single	230	50/60	0.39/0.48	80/90	2400/2600	570/630	62/65	2	1.6
BCF-220	Φ220 x 63	Single	230	50/60	0.44/0.50	95/120	2400/2600	800/865	65/68	3	2.7
BCF-225	Φ225 x 90	Single	230	50	0.57	129	2650	1070	79	4	2.7
BCF-250	Φ250 x 82	Single	230	50/60	0.83/1.13	190/250	2700/3030	1540/1660	74/76	6	3
BCF-355	Φ355 x 174	Single	230	50	1.12	245	1400	2800	74	8	5.6
BCF-400	Φ400 x 185	Single	230	50	1.6	370	1370	3653	77	12	6.8

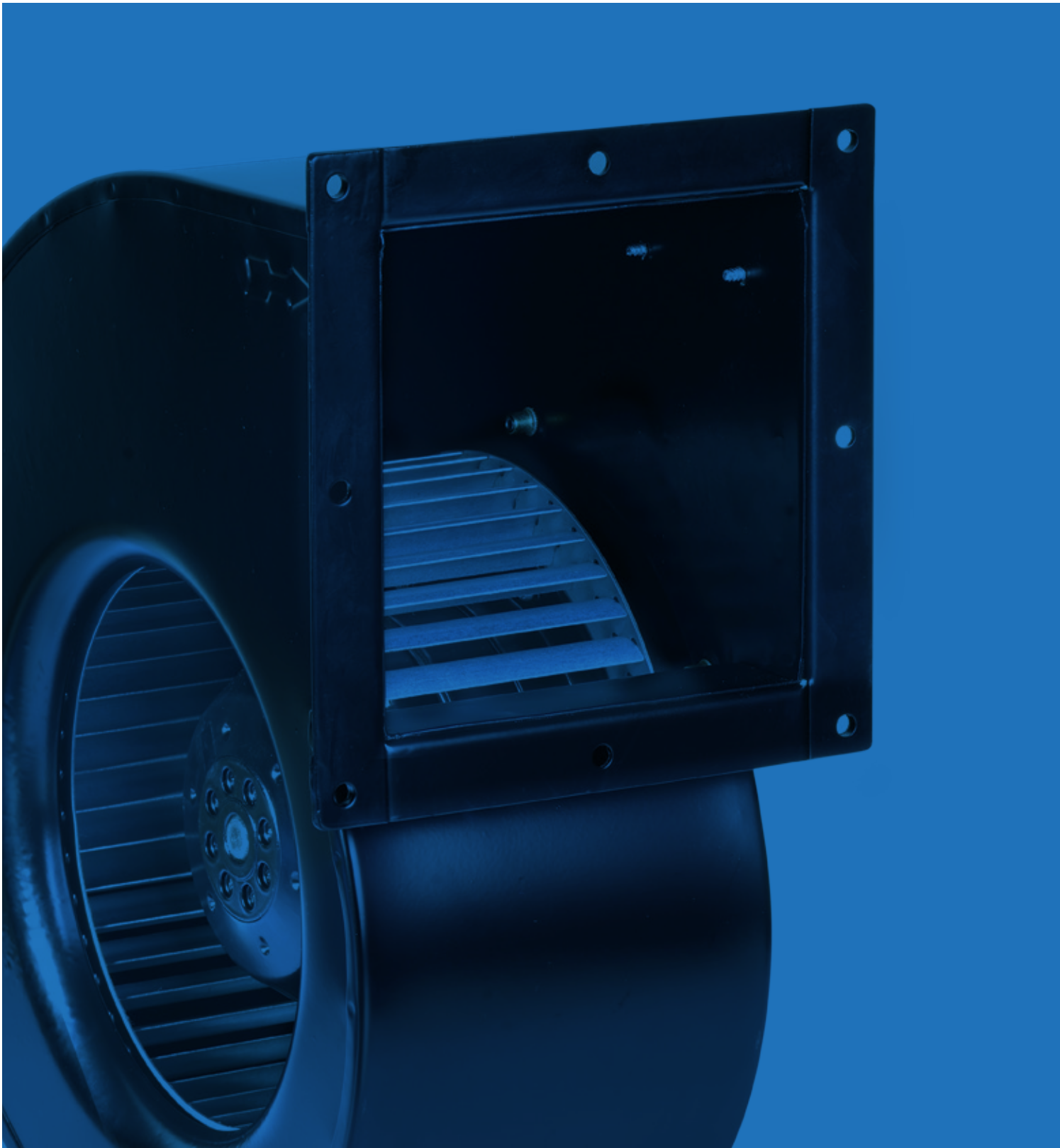


Dimensions (mm)

Model	A	B	C	D	E	F	G	H	I
BCF-133	133	53.6	77.5	42	93	600	87	13	129
BCF-180	180	49	69	35	131	930	125	14	170
BCF-190	192	60	80	45	130	930	125	14	170
BCF-220	220	63	80	45	159	930	156.2	21	252
BCF-225	225	90	99	63	159	930	145	28	223
BCF-250	252	84.3	102	56	172	930	167	33	255
BCF-355	359	174	195	121	250	520	239	31	350
BCF-400	413	185	236	123	270	990	255	58	370

Available in DC Voltages
 Few sizes available in 3 Phase

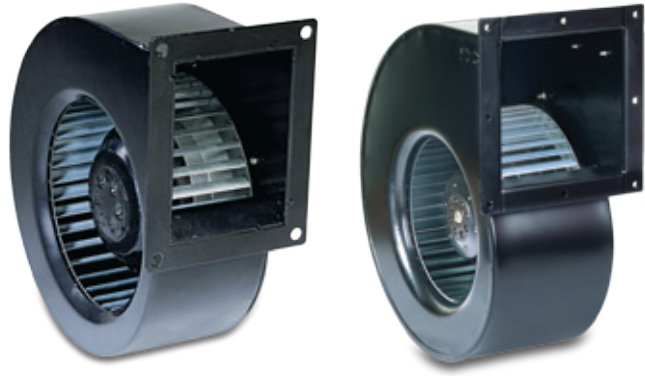
Specifications subject to change without notice



Centrifugal Blowers



Centrifugal Blowers Single Inlet



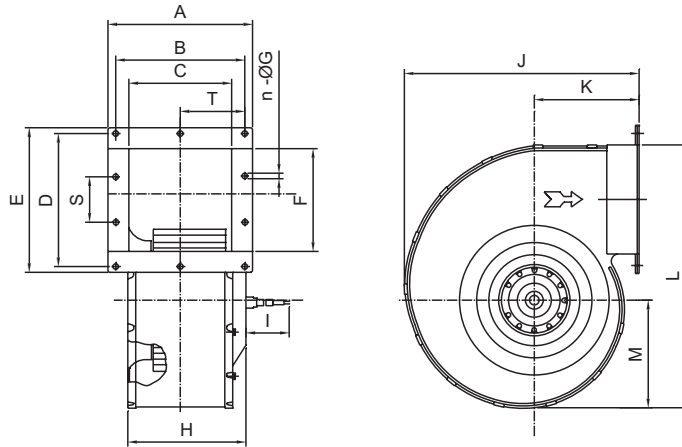
Model	Size mm	Phase	Voltage (VAC)	Frequency (Hz)	Current (A)	Power (W)	Speed (RPM)	Airflow (M ³ /hr)	Noise (dBA)	Cap μf/450V	wt Kg
CFB2E-120S	Φ120X50	Single	230	50	0.37	81	2180	280	73	2.0	2.0
CFB2E-140S	Φ140X65	Single	230	50	0.90	220	2350	480	73	6.0	2.9
CFB2E-150S	Φ150X65	Single	230	50	1.0	220	2300	475	60	4.0	3.8
CFB2E-160S	Φ160X65	Single	230	50	1.30	280	2100	600	73	6.0	4.0
CFB2E-180S	Φ180X55	Single	230	50	1.85	420	2000	750	74	8.0	6.1
CFB4E-180S	Φ180X95	Single	230	50	0.99	230	1350	1130	66	5.0	6.6
CFB4E-200S	Φ200X105	Single	230	50	1.30	290	1330	1365	70	6.0	8.0
CFB4E-225S	Φ225X105	Single	230	50	2.55	520	1330	1800	74	8.0	10.0
CFB4D-225S	Φ225X105	Three	415	50	0.84	460	1310	1800	74	-	10.0

Centrifugal Blowers Dual Inlet



Model	Size mm	Phase	Voltage (VAC)	Frequency (Hz)	Current (A)	Power (W)	Speed (RPM)	Airflow (M ³ /hr)	Noise (dBA)	Cap μf/450V	wt Kg
CFB2E-133D	Φ133X180	Single	230	50	0.85	190	1500	680	60	4.0	3.7
CFB2E-146D	Φ146X180	Single	230	50	1.80	420	1800	950	61	10.0	4.5
CFB4E-160D	Φ160X210	Single	230	50	0.90	200	1380	1240	64	5.0	6.0
CFB4D-180D	Φ180X195	Three	415	50	0.65	350	1350	1900	63	-	9.8
CFB4D-200D	Φ200X210	Three	415	50	0.91	480	1100	2500	64	-	12
CFB4D-225D	Φ225X210	Three	415	50	1.17	690	1050	2950	65	-	12.6

Centrifugal Blowers - Single Inlet

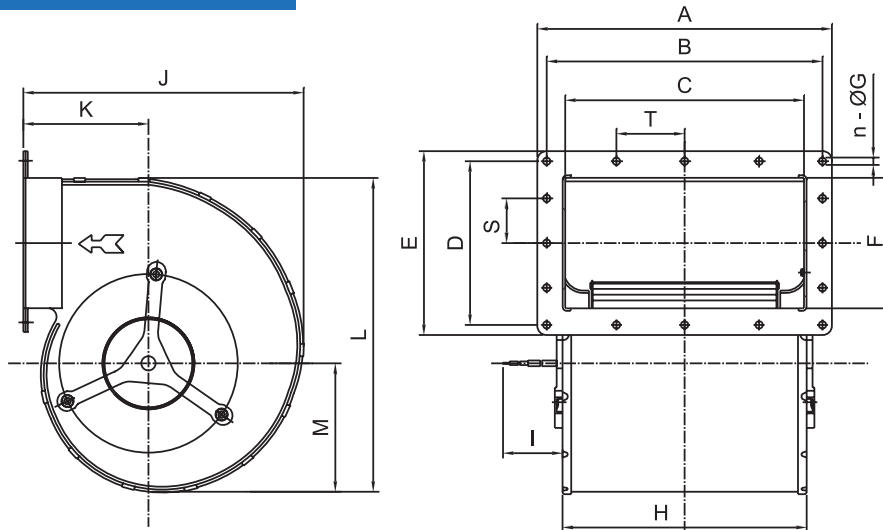


Dimensions (mm)

Model	A	B	C	D	E	F	n-ØG	H	I	J	K	L	M	S	T
CFB2E-120S	130	110	78	91.4	108	68	4-6.3	99	450	174	84	180	79	-	-
CFB2E-140S	135	120	99	110	128	92	4-6.5	105	1000	228	105	245	107	-	-
CFB2E-150S	102	90	72	120	140	92	4-7.0	77	1000	230	105	245	107	-	-
CFB2E-160S	135	120	99	110	128	92	4-6.5	105	1000	228	105	245	107	-	-
CFB2E-180S	125	110	85	135	150	110	4-7.0	132	1000	261	120	281	123	-	-
CFB4E-180S	180	2X80	130	2X90	188	135	8-6.5	168	1000	297	141	340	132	90	80
CFB4E-200S	195	2X87.5	145	2X90	199.5	150	8-6.5	172	1000	329	147	371	151.5	90	87.5
CFB4D-225S	195	2X87.5	145	2X90	199.5	150	8-6.6	172	1000	328	158	371	151.5	90	87.5

Specifications subject to change without notice

Centrifugal Blowers - Dual Inlet



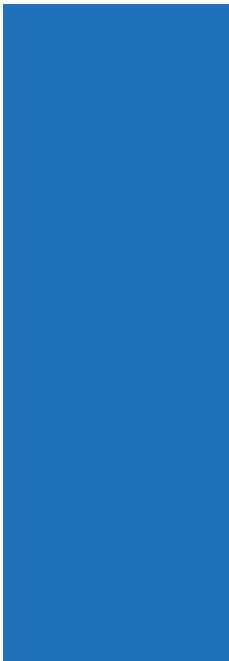
Dimensions (mm)

Model	A	B	C	D	E	F	n-ØG	H	I	J	K	L	M	S	T
CFB2E-133D	254	238	212	92	108	67	6-Ø5.6	217	1000	174	90	180	80	-	-
CFB2E-146D	270	252	230	122	140	100	6-Ø6.0	232	1000	225	100	218	97	-	-
CFB4E-160D	270	2x126	230	129	145	105	8-Ø6.0	235	1000	235	105	245	107	-	126
CFB4D-180D	300	4X70	250	4X63.5	275	225	16-Ø7.0	252	1000	297	133	333	136	63.5	70
CFB4D-200D	330	4X77.5	280	4X70	300	250	16-Ø7.0	282	1000	329	147	370	151	70	77.5
CFB4D-225D	330	4X77.5	280	4X70	300	250	16-Ø7.0	282	1000	328	158	370	151	70	77.5

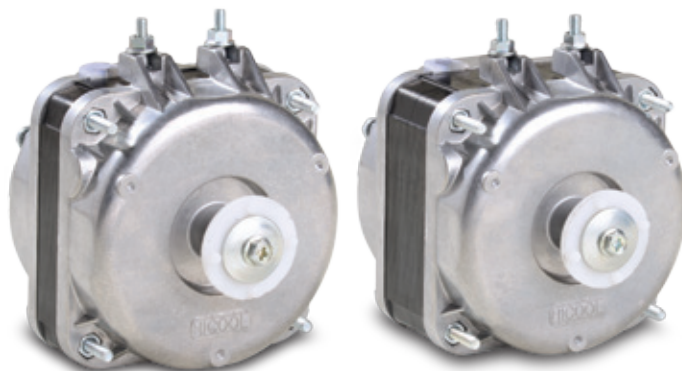
Specifications subject to change without notice



Q Motors



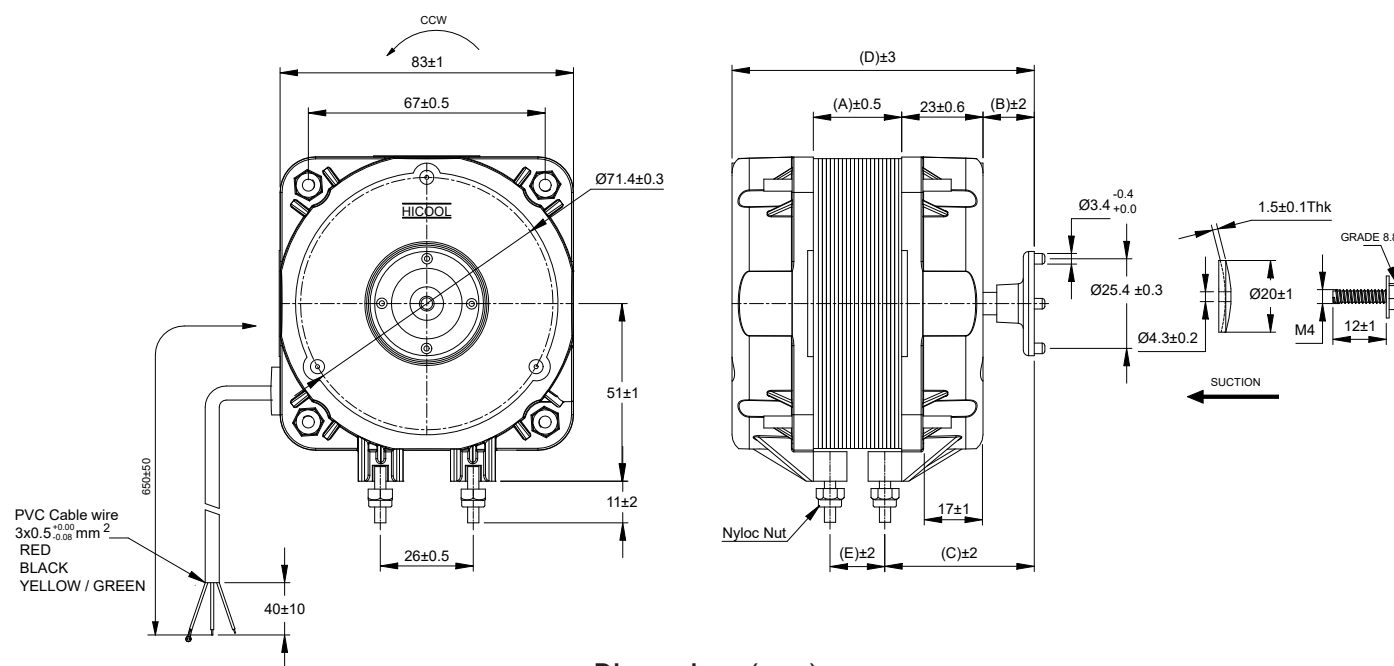
Q Motors



Model	Poles	Voltage (VAC)	Frequency (Hz)	Current	Input Watt	Output Watt	Speed (RPM)	Fan Blade	Rotation
83 A 230 SAC-5	4	230	50Hz	0.20	30	5	1300	200	CCW
83 A 230 SAC-7	4	230	50Hz	0.25	32	7	1300	230	CCW
83 A 230 SAC-10	4	230	50Hz	0.30	38	10	1300	230	CCW
83 A 230 SAC-16	4	230	50Hz	0.42	65	16	1300	254	CCW
83 A 230 SAC-25	4	230	50Hz	0.70	90	25	1300	300	CCW
83 A 230 SAC-34	4	230	50Hz	0.85	110	34	1300	300	CCW

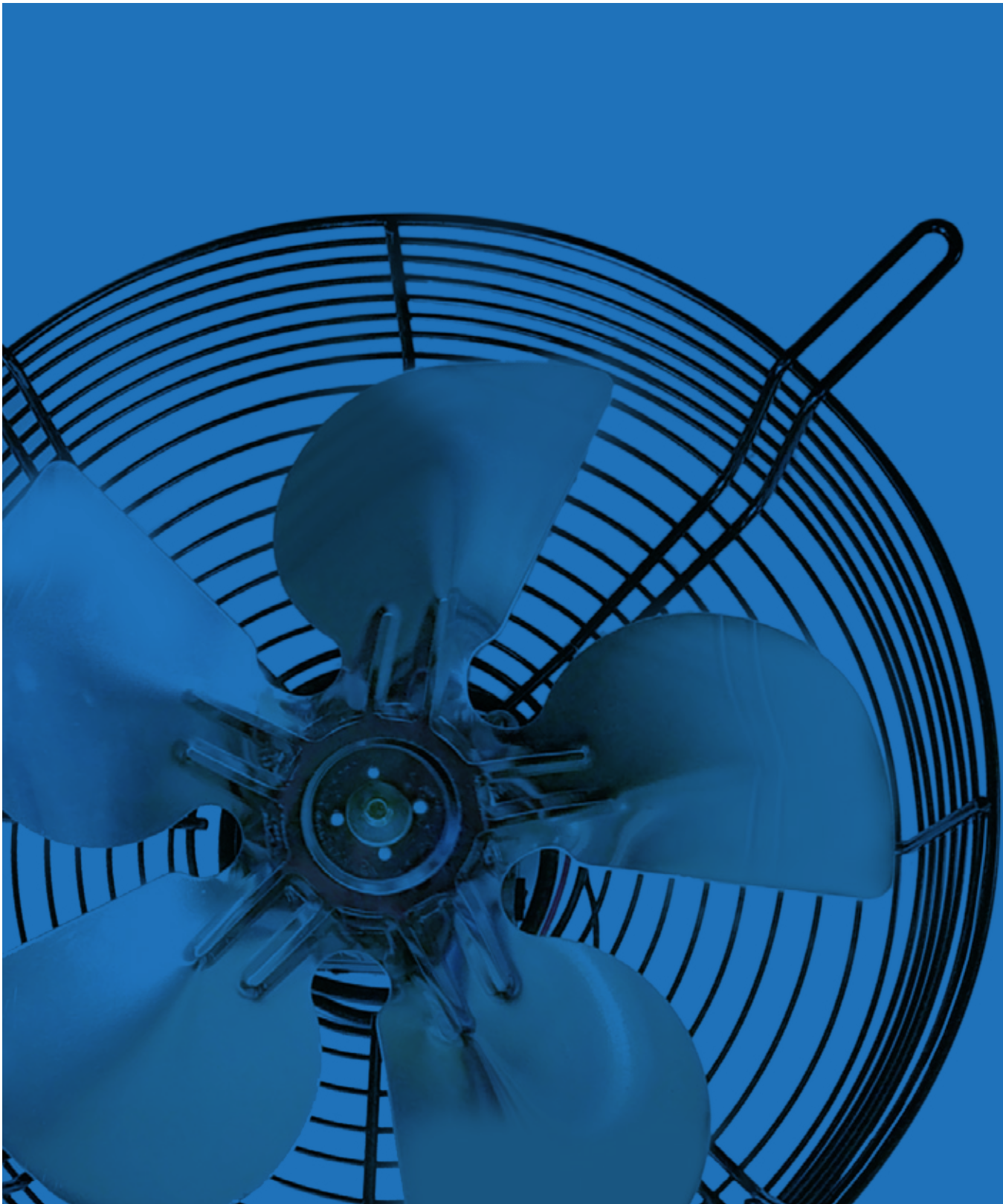
Also available in Ball Bearing

Specifications subject to change without notice



Dimensions (mm)

Model	A	B	C	D	E
83 A 230 SAC-5	13	13	41	73	-
83 A 230 SAC-7	19	13	41	79	-
83 A 230 SAC-10	19	13	41	79	-
83 A 230 SAC-16	25	13	41	86	-
83 A 230 SAC-25	40	25	53	112	31
83 A 230 SAC-34	45	28	56	121	36



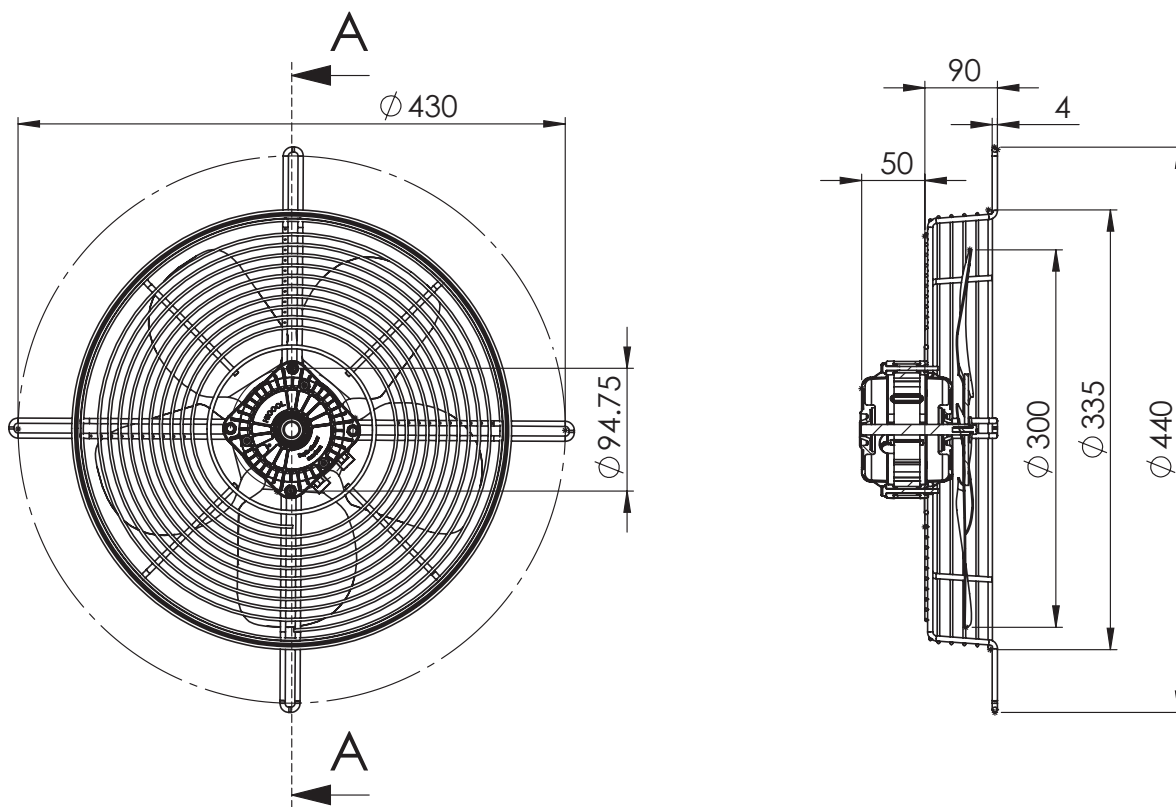
Elevator Cabin Fans

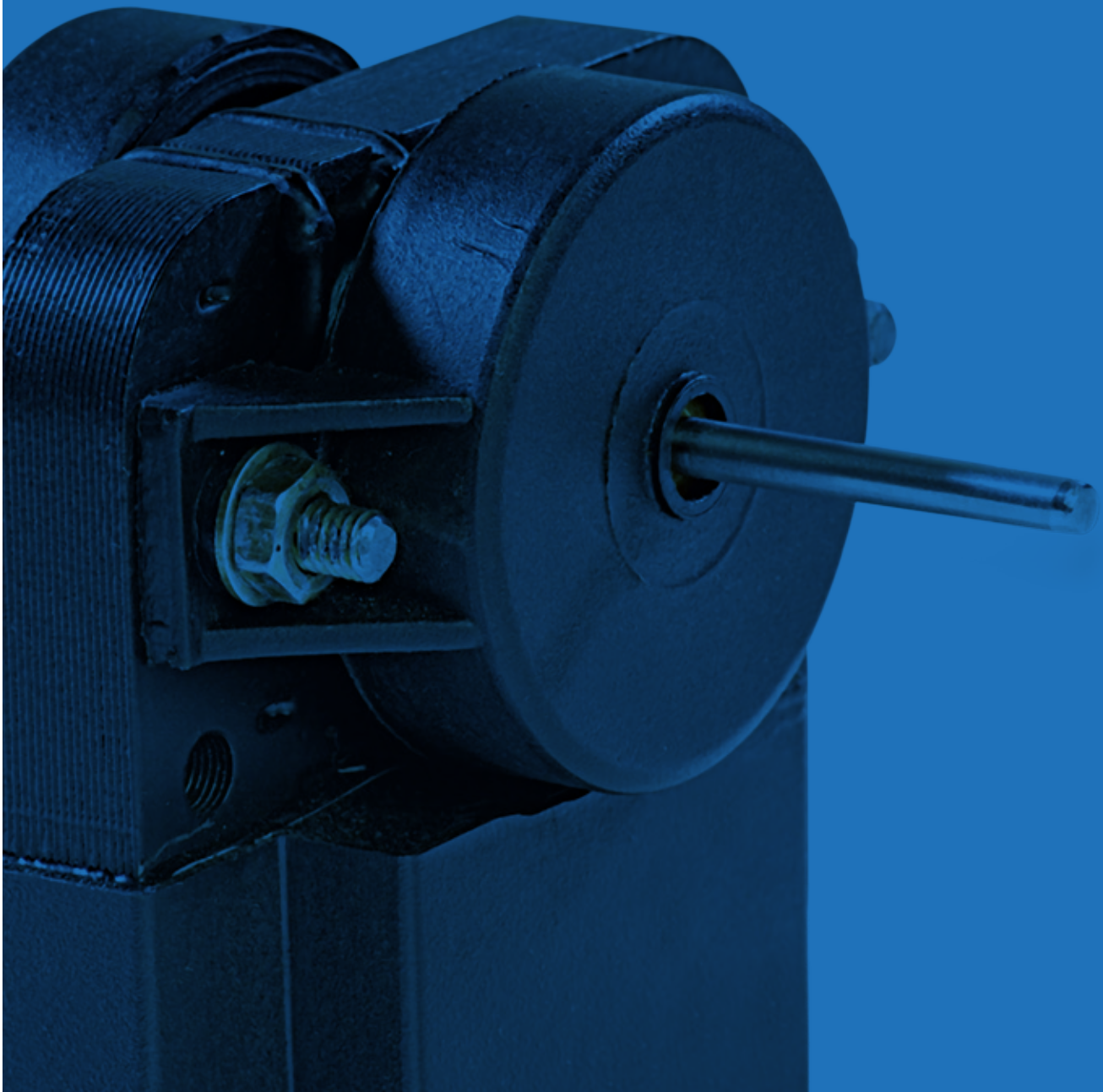


Elevator Cabin Fans



Model	Voltage (VAC)	Frequency (Hz)	Current (A)	Speed (RPM)	Power (W)	Fan Blade	Airflow (M ³ /hr)
83A230SAC-10-EF	230	50	0.35	1200	55	300/22°	1100

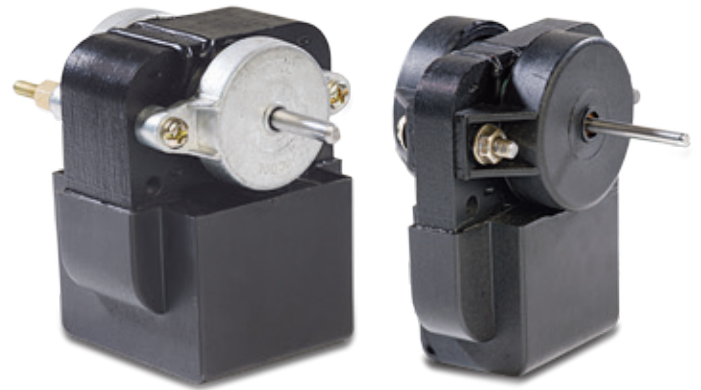




C Frame Motors



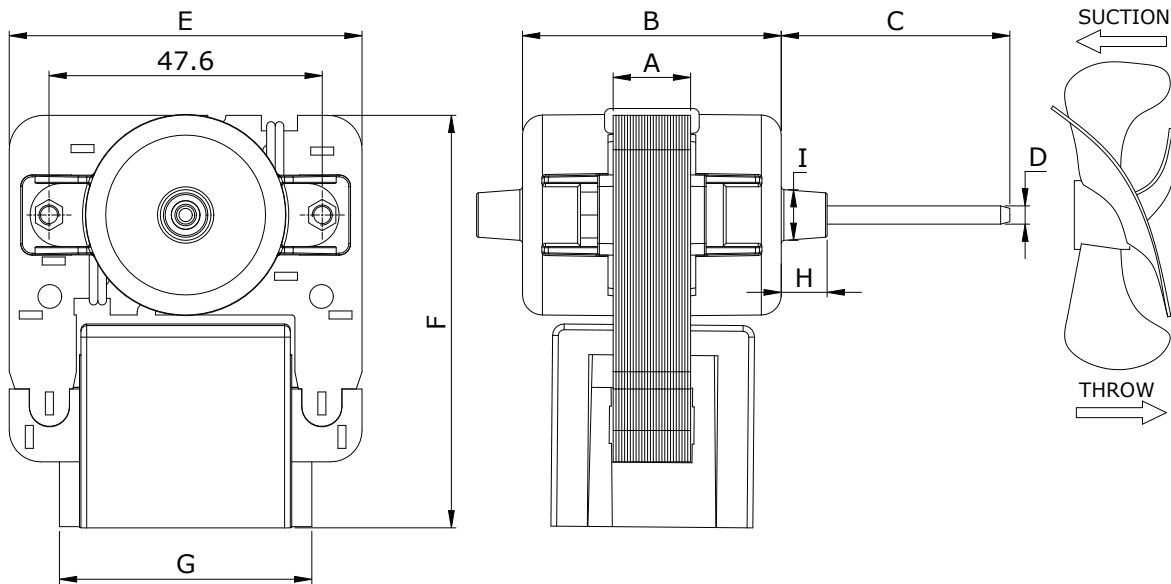
C Frame Motors



Model	Voltage (VAC)	Frequency (Hz)	Current (mA)	Speed (rpm)	Input Watt (w)	Output Watt (w)	Air Flow (cfm)	Noise (dBA)
61P230SAC-11L	230	50/60	65/55	2550/2700	7.5/7	1.4	65	35
61P230SAC-13L	230	50/60	70 /60	2600/2900	7/6.5	1.6	70	36
63P230SAC-15T	230	50/60	80/75	2700/3100	8/7.5	1.8	75	37

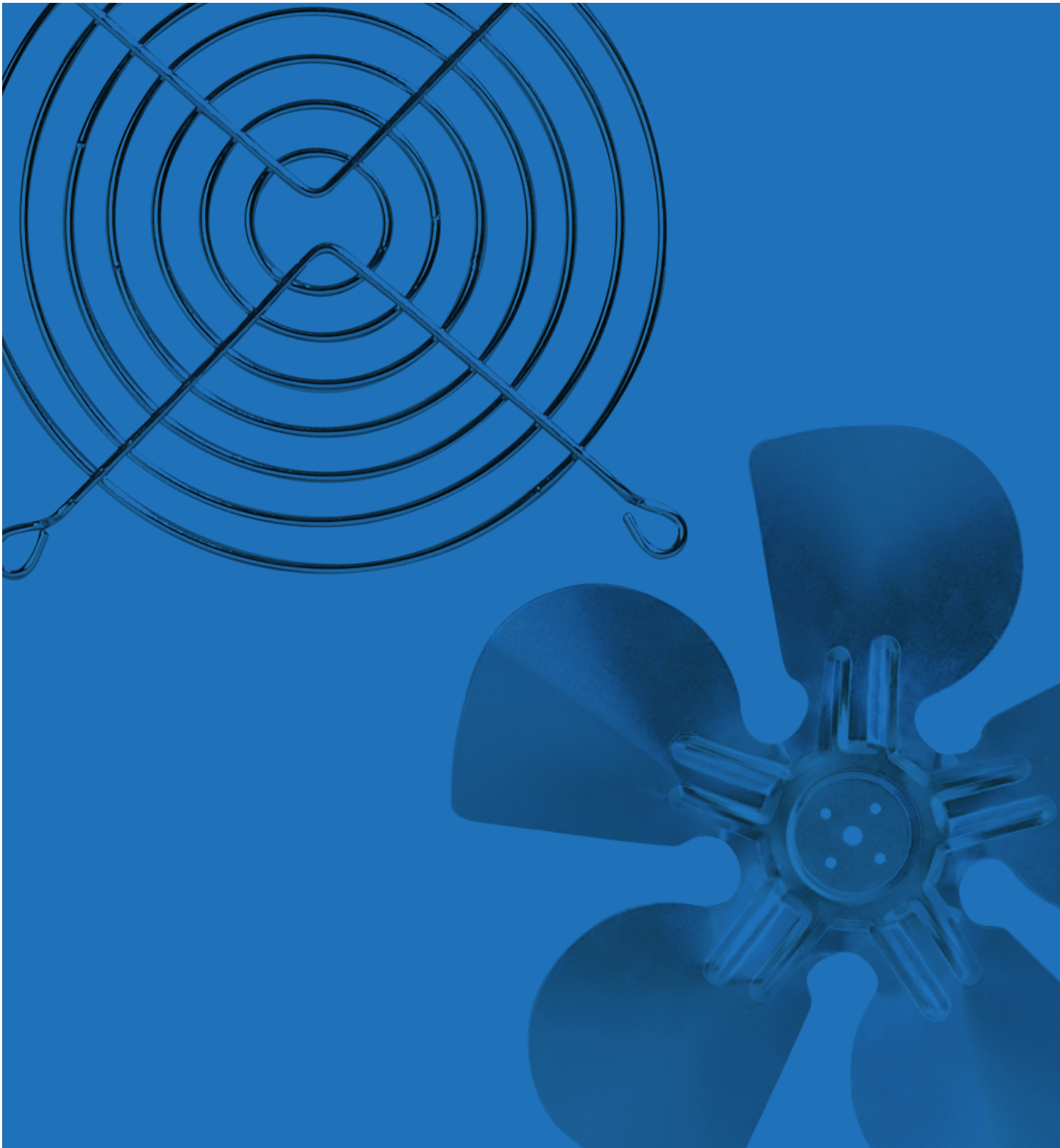
L- Lead wire type, T - Terminal type

Specifications subject to change without notice



Dimensions (mm)

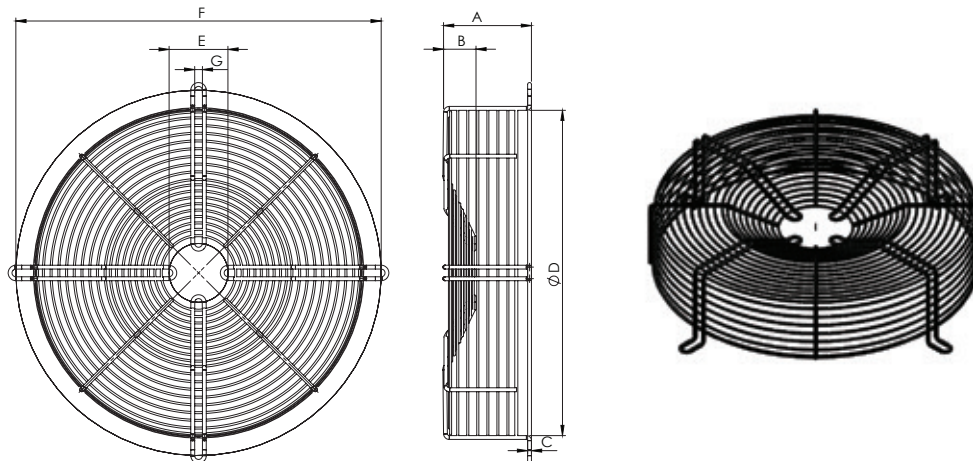
Model	A	B	C	D	E	F	G	H	I
61P230SAC-11	11	43	42	3.18	61.5	72	44	8	8.6
61P230SAC-13	13	45	40	3.18	61.5	72	44	8	8.6
63P230SAC-15	15	48	16	3.18	63.5	75.5	37	-	-



Accessories

Accessories

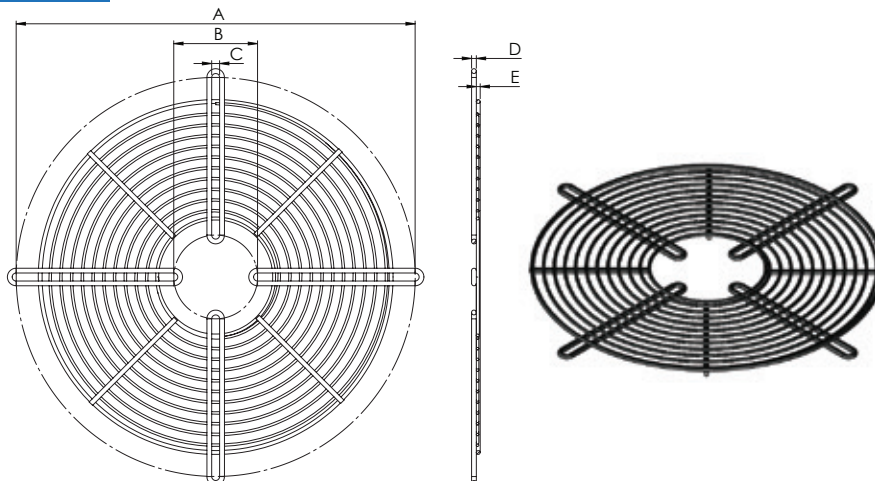
Axial Fan Basket Grill



Dimensions (mm)

Model	Size	A	B	C	D	E	F	G
BGA 200	200 mm	45	-	4	220	58.5	260	7
BGA 250	250 mm	55	-	4	275	58.5	320	7
BGA 300	300 mm	80	30	4	320	58.5	360	7
BGA 350	350 mm	80	30	5	370	89.5	422	9.5
BGA 400	400 mm	90	30	5	420	89.5	470	9.5
BGA 450	450 mm	90	30	6	470	89.5	522	9.5
BGA 500	500 mm	90	30	6	520	120	570	10.5
BGA 550	550 mm	100	30	6	570	120	622	10.5
BGA 600	600 mm	100	30	7.5	620	120	679	10.5
BGA 630	630 mm	100	30	7.5	650	120	750	10.5

Axial Fan Flat Grill



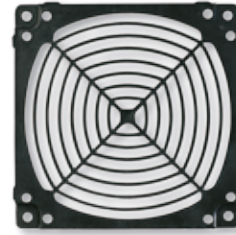
Dimensions (mm)

Model	Size	A	B	C	D	E
FGA 200	200 mm	260	58.5	6.5	4	3
FGA 250	250 mm	320	58.5	6.5	4	3
FGA 300	300 mm	360	58.5	7	4	3.5
FGA 350	350 mm	422	89.5	9.5	5	4
FGA 400	400 mm	470	89.5	9.5	5	4
FGA 450	450 mm	522	89.5	9.5	5	4
FGA 500	500 mm	570	120	10.5	6	4
FGA 550	550 mm	622	120	9.25	6	4

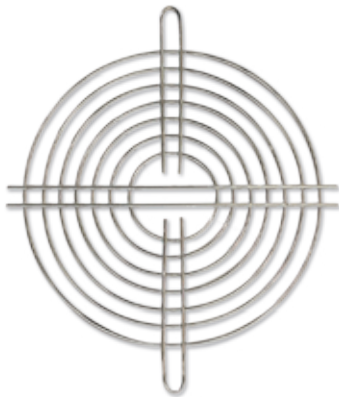
Also available in Stainless Steel

Accessories

Compact Fan Accessories



Plastic Finger Guards



Metal Finger Guards - Chrome & Powder Coated

Q Motors Accessories



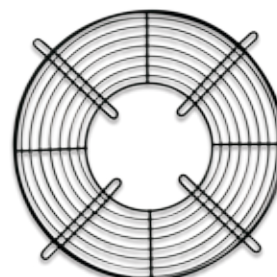
Aluminium Blades(sucking & blowing) available in dia 154,172,200,230,254&300mm.Pitch available from 19° upto 34°



Bracket



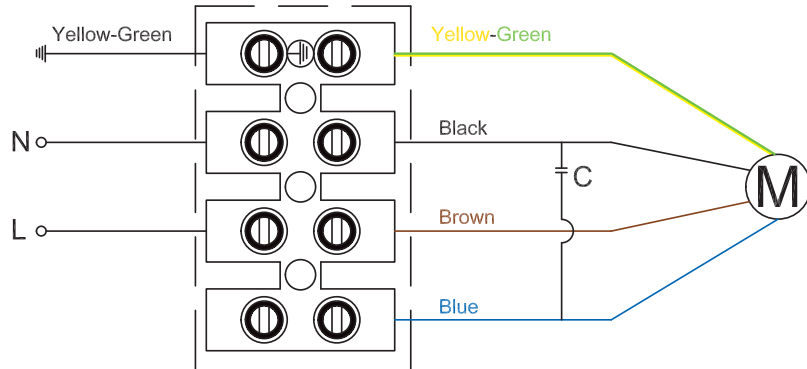
Wall Ring



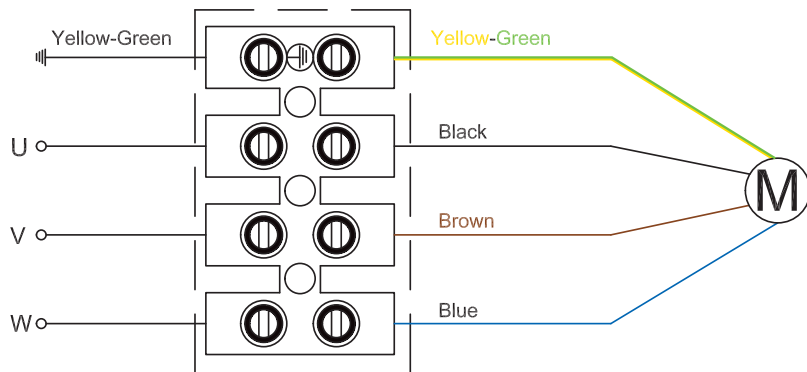
Basket Grill

Axial Fan Connection Diagrams

Model:-200-630mm
Single Phase

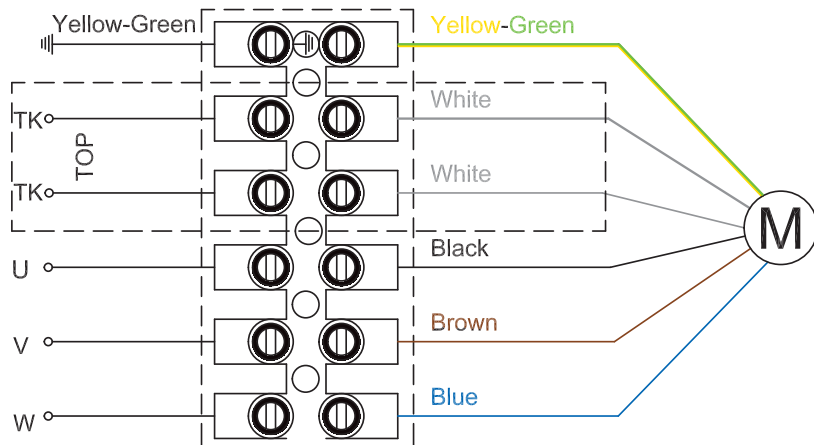
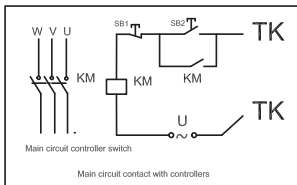


Model:-200-250mm
Three Phase



Note:- Direction of rotation is reversed by swapping two line phaser

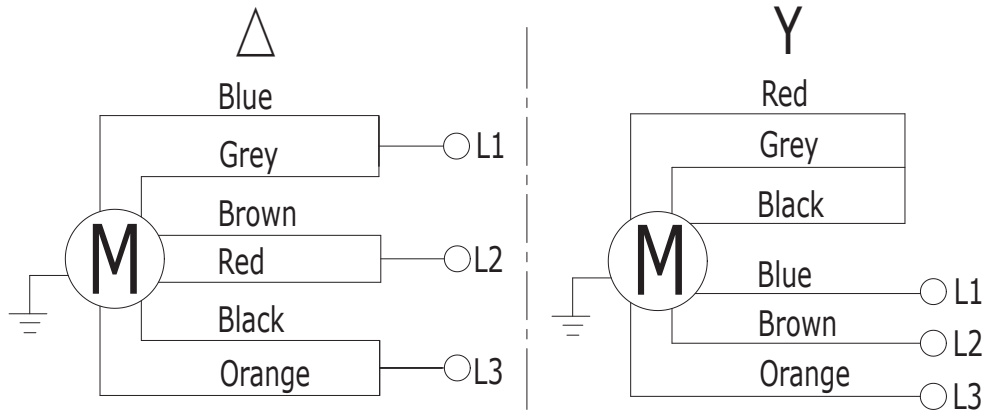
Model:-300-630mm
Three Phase



Note:- Direction of rotation is reversed by swapping two line phaser

Star Delta Connection Diagram

3-PHASE MOTOR WIRING DIAGRAM



India Presence



Global Presence





Corporate Headquarters

Hicool Electronic Industries

Plot No. A-104, TTC Industrial Area, MIDC,
Khairne, Navi Mumbai - 400 710,
Maharashtra, India.

Tel: +91 86575 52651

Email: sales@hicoolfans.com

